

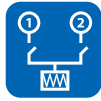
MODEL:

# PDUMNH20HVAT

## Single-Phase Monitored 1U Rackmount PDU



High Voltage Input/Output



Automatic Transfer Switch



20A Max Capacity



Multi-Function Display



Network Interface



1U Horizontal Rackmount



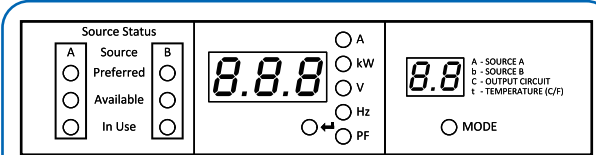
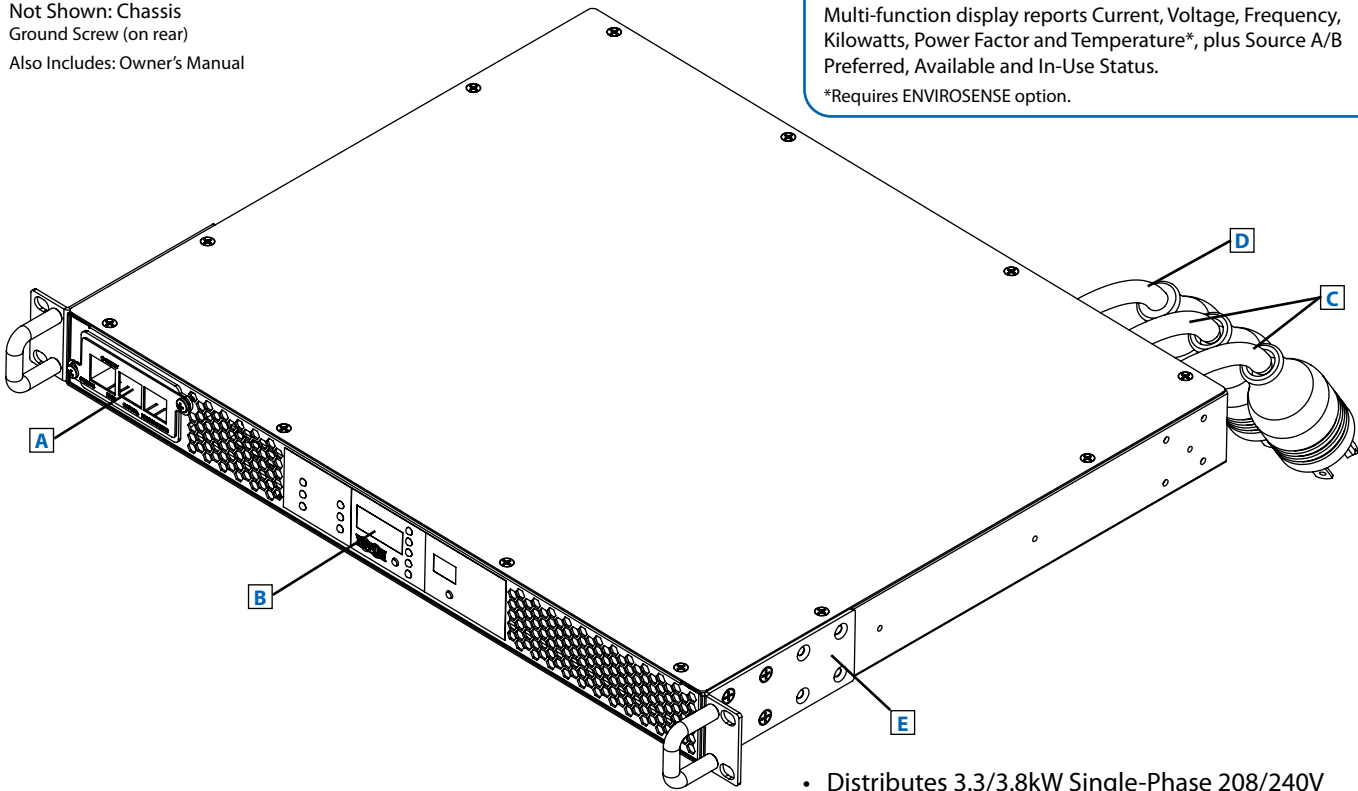
2 L6-20P Inputs



1 L6-20R Output

- A** Network Interface
- B** Multi-Function Display
- C** ATS Inputs (L6-20P x 2)
- D** ATS Output (L6-20R x1)
- E** Rackmounting Brackets

Not Shown: Chassis Ground Screw (on rear)  
Also Includes: Owner's Manual



Multi-function display reports Current, Voltage, Frequency, Kilowatts, Power Factor and Temperature\*, plus Source A/B Preferred, Available and In-Use Status.

\*Requires ENVIROSENSE option.

- Distributes 3.3/3.8kW Single-Phase 208/240V redundant power for devices with non-redundant power supply configurations
- Remote monitoring via SNMP, Web or Telnet
- Real-time load/current display with billing-grade accuracy (+/- 1%)
- 1U height and 19" width ideal for rackmount applications

**SEE NEXT PAGE FOR DETAILED UNIT MEASUREMENTS**



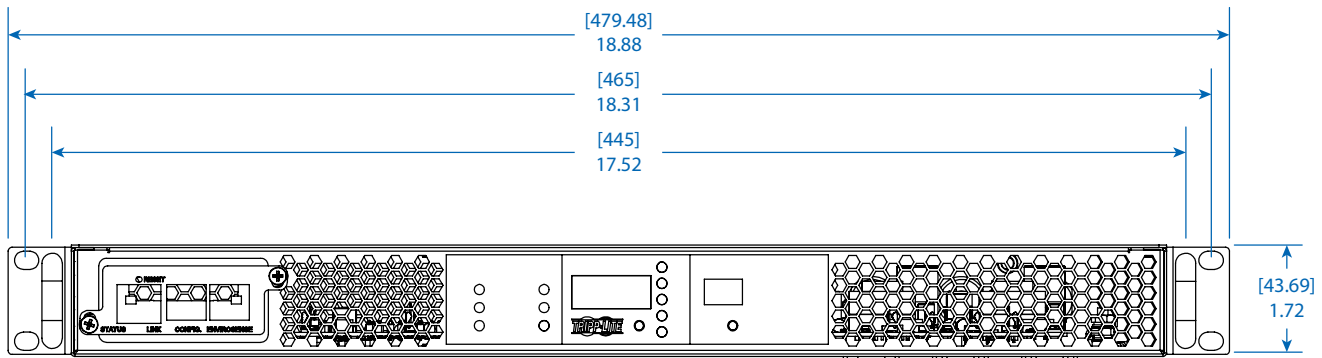
1111 W. 35th Street  
Chicago, IL 60609 USA  
773.869.1234  
www.tripplite.com

### Specifications

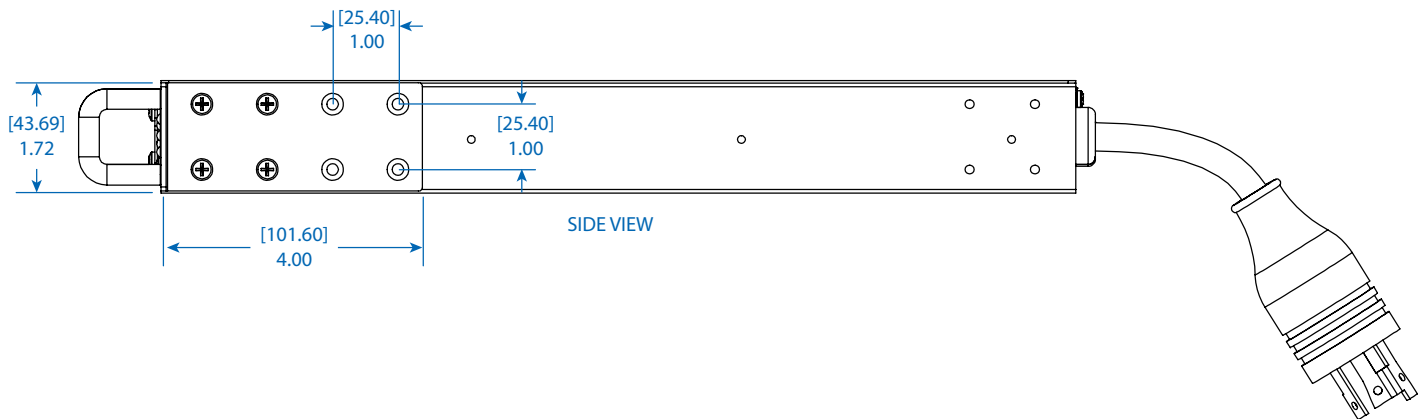
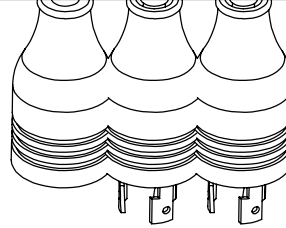
Model	PDUMNH20HVAT
Voltage	208/240V
Frequency	50/60Hz
Maximum Capacity	3.8kW
Agency-Derated Capacity	16A
Input Connectors	L6-20P (x2)
Output Connector	L6-20R (x1)
Cord Lengths	10 ft. / 3 m
Primary Mounting Option	1U Horizontal Rackmount
Unit Dimensions (W x H x D)	16.93 x 1.72 x 14 in. / 430 x 44 x 356 mm
Unit Weight	16.68 lb. / 7.57 kg
Certifications	Tested to UL 60950-1 (USA, Canada), FCC Class A (Emissions), NOM (Mexico), RoHS Compliant

Tripp Lite has a policy of continuous improvement. Specifications are subject to change without notice.

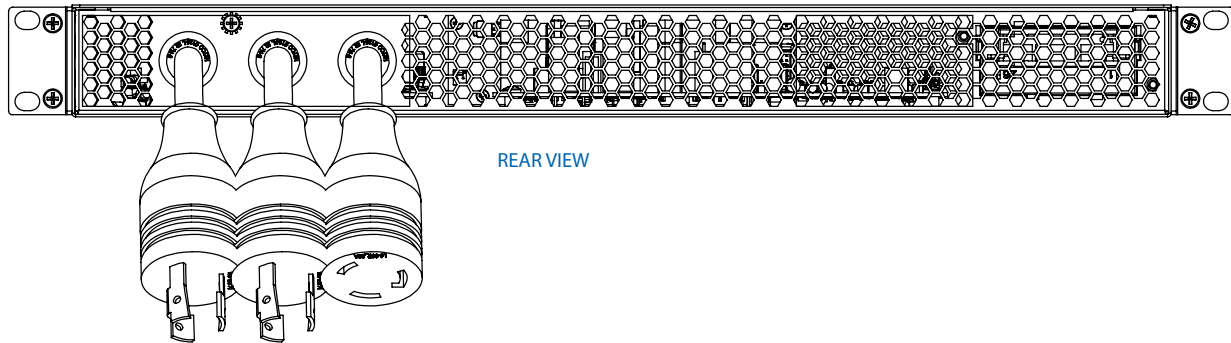




FRONT VIEW



SIDE VIEW



REAR VIEW

Dimensions: [mm] INCHES

Tripp Lite has a policy of continuous improvement. Specifications are subject to change without notice.

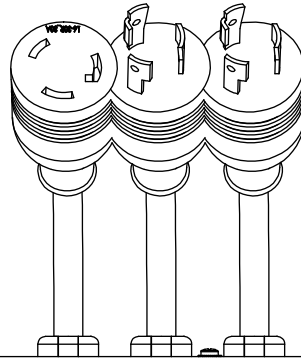
MODEL:  
**PDUMNH20HVAT**



1111 W. 35th Street  
Chicago, IL 60609 USA  
773.869.1234

[www.tripplite.com](http://www.tripplite.com)

[430]  
16.93



[355.60] [387.60]  
14.00 15.26

TOP VIEW

Dimensions: [mm] INCHES

Tripp Lite has a policy of continuous improvement. Specifications are subject to change without notice.

MODEL:  
**PDUMNH20HVAT**



1111 W. 35th Street  
Chicago, IL 60609 USA  
773.869.1234  
[www.tripplite.com](http://www.tripplite.com)