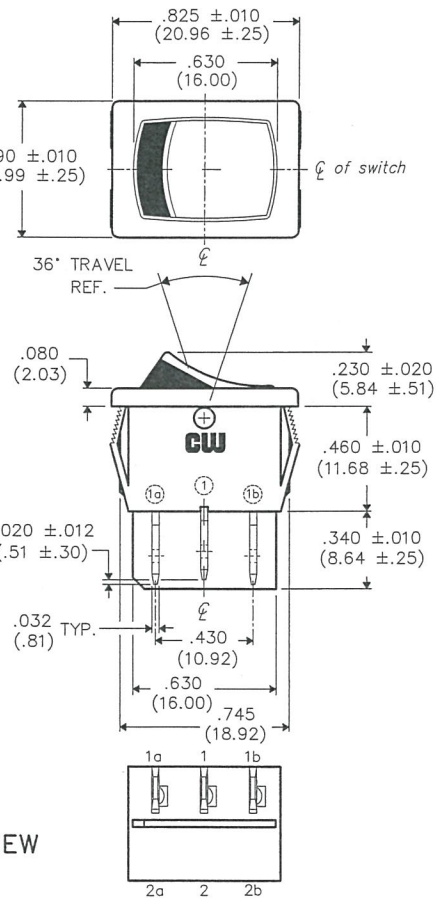
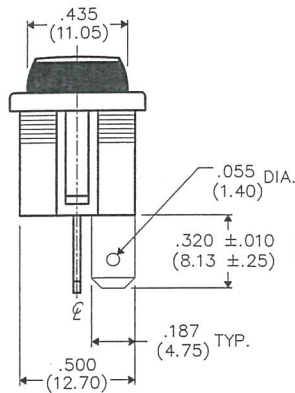
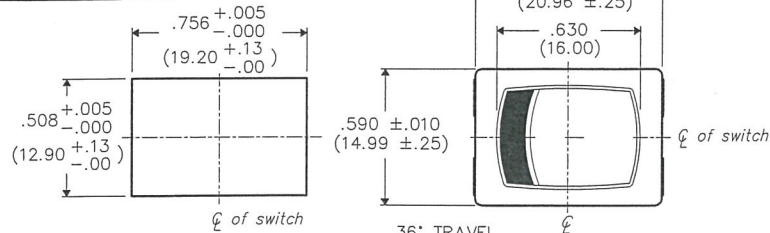


THIS INFORMATION IS CONFIDENTIAL AND PROPRIETARY TO CW INDUSTRIES INCORPORATED AND ITS AFFILIATES. IT MAY NOT BE DISCLOSED TO ANYONE OTHER THAN CW INDUSTRIES PERSONNEL, WITHOUT WRITTEN AUTHORIZATION FROM CW INDUSTRIES INCORPORATED, SOUTHAMPTON, PENNSYLVANIA USA.

A B C D F

PANEL PIERCING



BOTTOM VIEW

DIMENSIONS IN INCHES (MILLIMETERS)
DO NOT SCALE DRAWING

Dwg. No.
GRS-4012-0065

UL, CSA & VDE LISTED:

16A 125-250VAC 3/4H.P. 125-250VAC
3A 125V L 10A 14V(T)
10(4) 250 ~ 4 T85'

MATERIALS:

BUTTON - NYLON 6/6 94V-2 COLOR, BLACK/RED
HOUSING - NYLON 6/6 94V-2 COLOR, BLACK
TERMINAL & MOVING CONTACT - COPPER ALLOY

1 2 3 4 5 6 7 8 9 10

B-FORMAT 2002	REVISIONS	0
	RELEASED:	DGW 2-25-2013
		FEB 26 2013

PDF MADE	CW INDUSTRIES Southampton, Pa. 18966		Title: 2 COLOR ROCKER SWIDGET ASSEMBLY SP/DT (POP-IN)
	TOLERANCES UNLESS OTHERWISE SPECIFIED		
	2 Place Decimal ±.010	METRIC	Division: SWTCH
	3 Place Decimal ±.005	1 Place Dec. ±.25mm	
	Angles ±1'	2 Place Dec. ±.13mm	Dwg. No. GRS-4012-0065
	Made for:	CW IND.	
Drawn by:	DGW 2-25-2013		
Checked by:	G. Gold 2-26-13		
Approval:	C. H. 2/21/13		

MASTER