

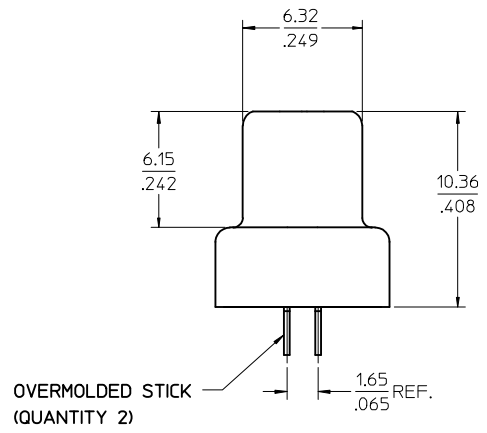
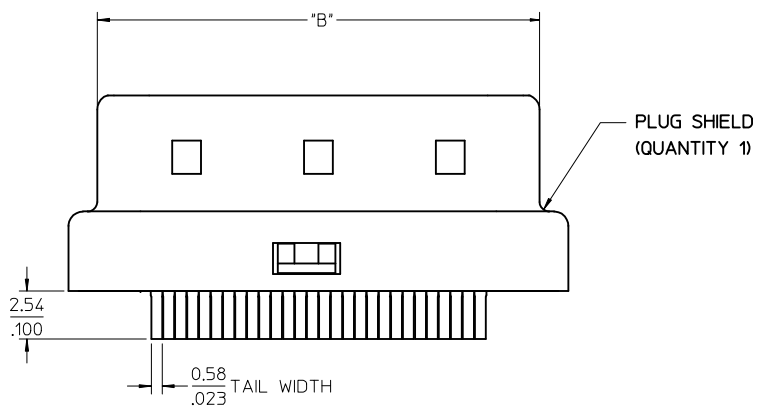
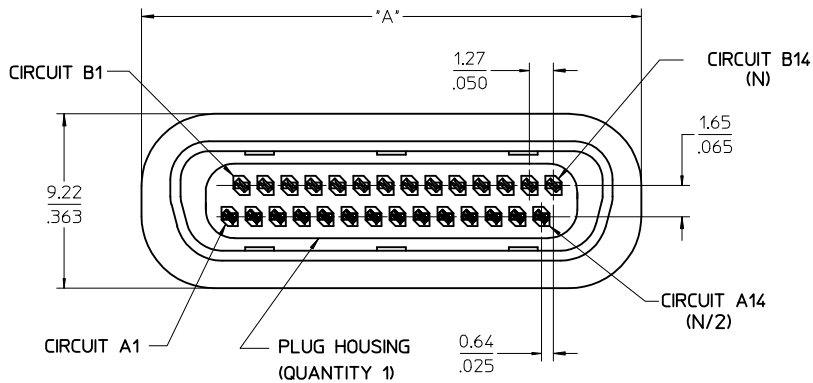
NOTES:

1. MATERIALS:

- SHIELD: DEEP DRAWN STEEL.
- HOUSING: GLASS FILLED POLYMER, COLOR: BLACK, UL 94V-0.
- CONTACTS: COPPER ALLOY, OVERMOLDED WITH GLASS FILLED POLYMER, COLOR: BLACK, UL 94V-0.2. PLATING:
- SHIELD: 2.54 μ METERS/100 μ NCHES MINIMUM BRIGHT TIN (Sn) OVER 1.27 μ METERS/50 μ NCHES MINIMUM NICKEL (Ni) OVER COPPER (Cu) UNDERPLATE OVERALL.
- TERMINALS: SELECTIVE GOLD (Au) IN CONTACT AREA, THICKNESS 0.38 μ METERS/15 μ NCHES MINIMUM, SELECTIVE TIN (Sn) IN TAIL AREA, THICKNESS 2.54 μ METERS/100 μ NCHES MINIMUM OVER NICKEL (Ni) UNDERPLATE OVERALL.

3. PACKAGING:

PLUG ASSEMBLIES TO BE PACKAGED IN TUBES PER PK-75000-991.



75000-1028	28	26.47 1.042	23.42 .922
75000-1048	48	39.17 1.542	36.12 1.422
MAT'L NUMBER	CIRCUIT SIZE	*A* DIM.	*B* DIM.

REMOVED SHEET 2	QUALITY SYMBOLS
EC NO: UCP2009-3097	▽=0
DRWN: JANTELEZ10 2009/06/23	▽=0
CHKD: 2009/08/14	
APPR: MBANAKIS 2009/08/14	
DESCRIPTION	
REV	

GENERAL TOLERANCES (UNLESS SPECIFIED)
4 PLACES ± .005
3 PLACES ± .005
2 PLACES ± .025
1 PLACE ± .005
ANGULAR ± 1/2°
DRAFT WHERE APPLICABLE MUST REMAIN WITHIN DIMENSIONS

DIMENSION STYLE	SCALE	DESIGN UNITS	THIRD ANGLE PROJECTION
MM/IN	5:1	INCH	
DRAWN BY	DATE	TITLE	
TMCCLELL	02/02/11	SALES DRAWING - TDP TRIAD DIFFERENTIAL PAIR PLUG CONNECTOR	
CHECKED BY	DATE	MOLEX INCORPORATED	
SCHMIDGA	02/09/13	DOCUMENT NO. SD-75000-001	
APPROVED BY	DATE	SHEET NO. 1 OF 1	
BANAKIS	02/09/13		
MATERIAL NO.	SIZE	THIS DRAWING CONTAINS INFORMATION THAT IS PROPRIETARY TO MOLEX INCORPORATED AND SHOULD NOT BE USED WITHOUT WRITTEN PERMISSION	
SEE CHART			