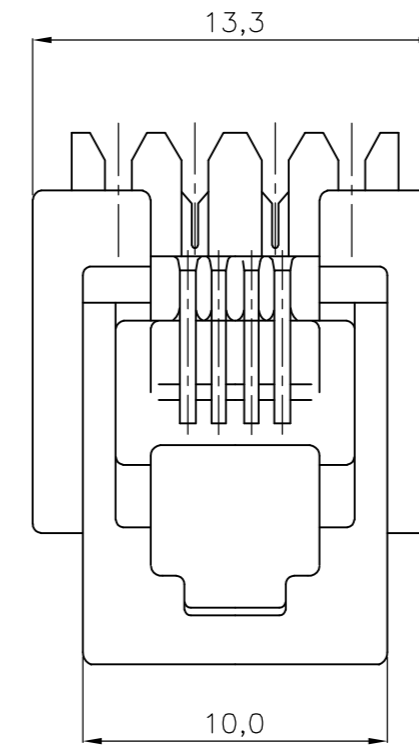
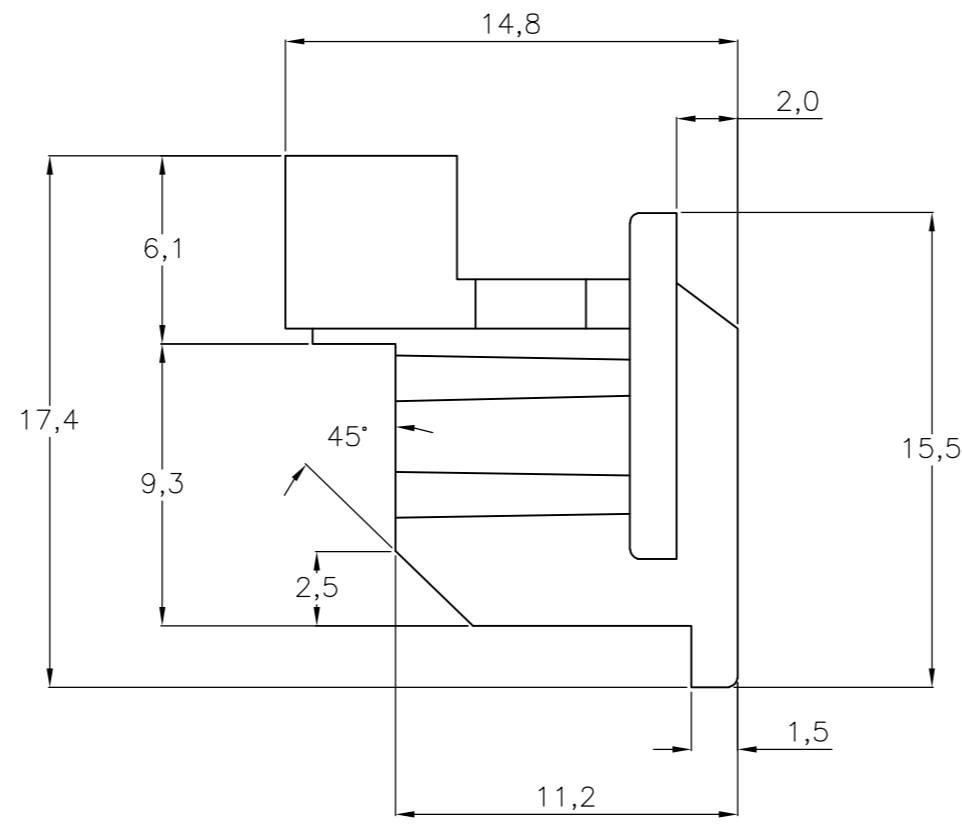
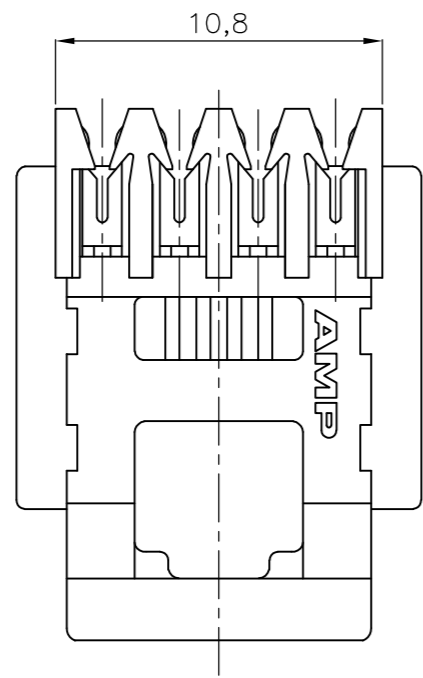
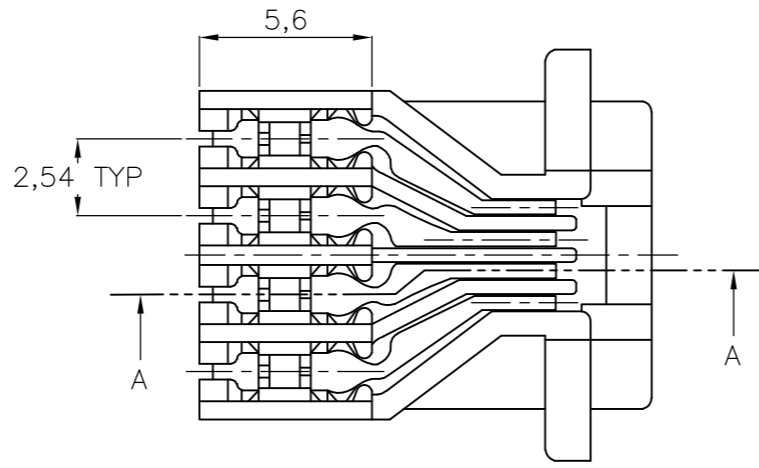


THIS DRAWING IS UNPUBLISHED. RELEASED FOR PUBLICATION
 © COPYRIGHT BY TYCO ELECTRONICS CORPORATION. ALL INTERNATIONAL RIGHTS RESERVED.

LOC	DIST	REVISIONS					
		P	LTR	DESCRIPTION	DATE	DWN	APVD
H	-	N		EH-1637-99	02-11-98	MVE	-
		P		ECR-06-013127	31-05-06	MO	-
		P1		ECR-08-012368	05-11-08	AEG	WRV
		P2		REVISED PER ECO-09-020935	29AUG09	KK	AEG

NOTES:

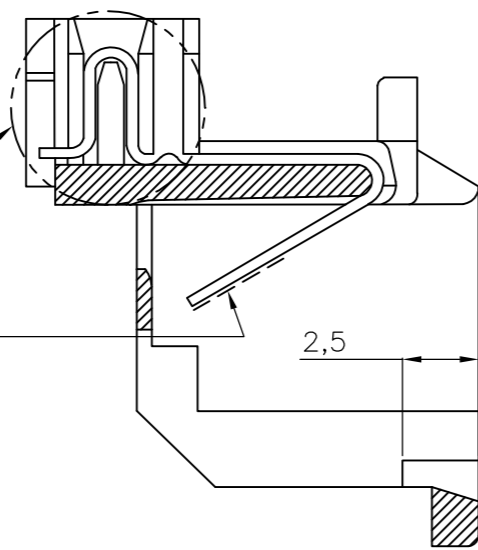
- FOR APPLICATION INFORMATION SEE TE SPECIFICATION 114-19005.
- FOR PERFORMANCE REQUIREMENTS SEE TE SPECIFICATION 108-19039.
- OBsolete PARTS: OBsolete CIS STREAMLINING PER D.RENAUD/D.SINISI



CONTACT PLATING IN THIS AREA:
1,25µm MIN. TIN.

CONTACT AREA GOLD PLATING THICKNESS:
SEE TABLE.

UNDERPLATING ON ENTIRE CONTACT :
1,25µm MIN. NICKEL.



SECTION A-A

MATERIALS OF CONTACTS:
PHOS. BRONZE.

OBsolete	800 PCS ON TAPE	0.8 µm	ABS COLOR-CLEAR	2-215222-4
	3000 PCS IN A BOX			215222-4
	800 PCS ON TAPE	1.25 µm	PBT, UL 94V-0 COLOR-BLACK	2-215222-3
	3000 PCS IN A BOX			215222-3
	PACKAGING	GOLD PLATING IN CONTACT AREA	HOUSING MATERIAL	ORDER NUMBER

THIS DRAWING IS A CONTROLLED DOCUMENT.		DWN P. BEIJNON	24APR89	Tyco Electronics Corporation 's-Hertogenbosch, Nederland	
DIMENSIONS: mm	TOLERANCES UNLESS OTHERWISE SPECIFIED:	CHK -	APVD -	NAME MODULAR JACK M.T., 4 POS./4 CONT WITH INSULATION DISPLACEMENT CONTACTS	
	0 PLC ± -	PRODUCT SPEC -	APPLICATION SPEC -	SIZE A2	CAGE CODE 00779
	1 PLC ± -	WEIGHT -	SCALE NTS	DRAWING NO C=215222	RESTRICTED TO -
	2 PLC ± -	CUSTOMER DRAWING		SHEET 1 of 1	REV P2
	3 PLC ± -				
	4 PLC ± -				
	ANGLES ± -				
MATERIAL SEE NOTES	FINISH SEE NOTES				