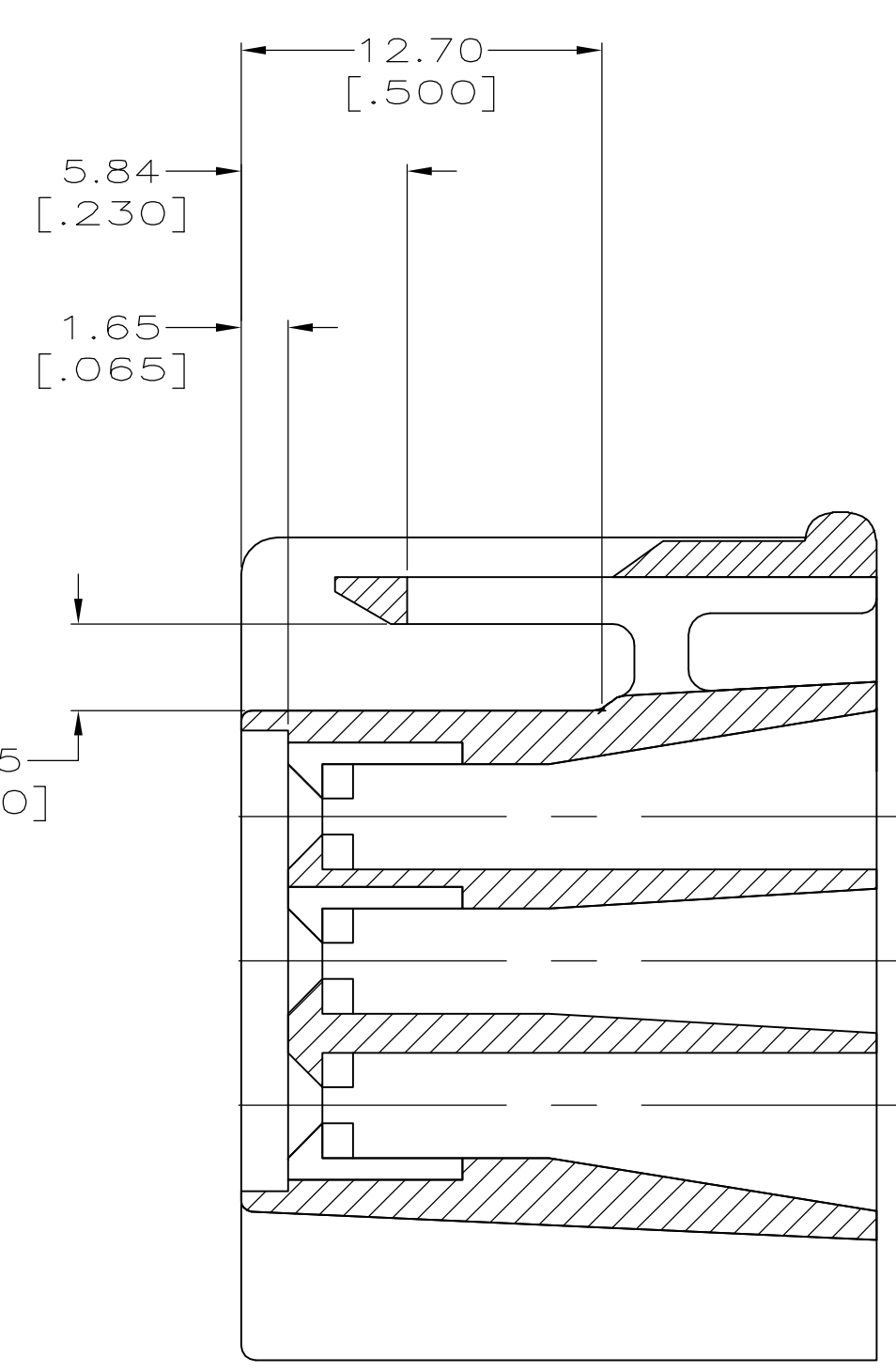
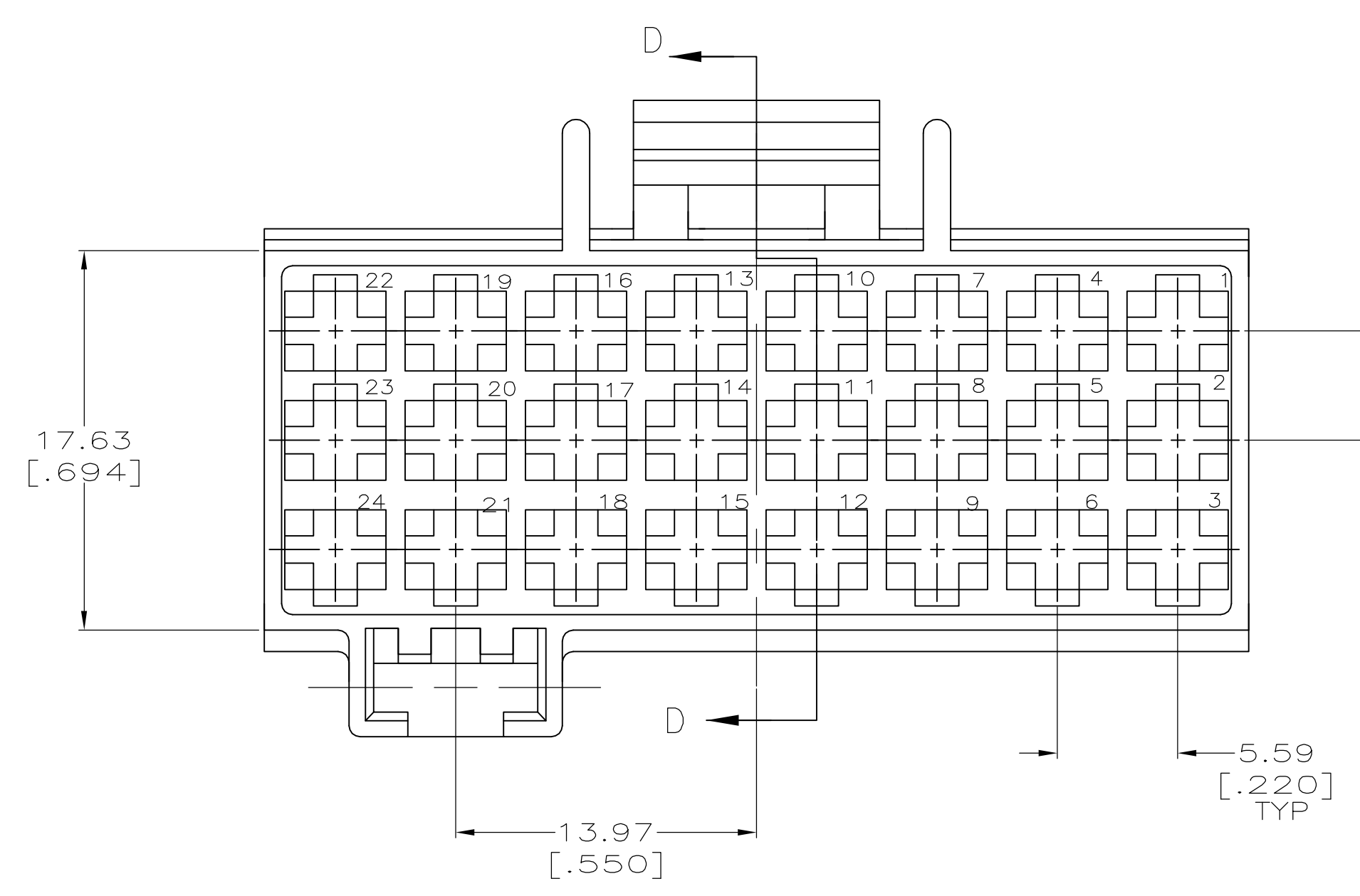
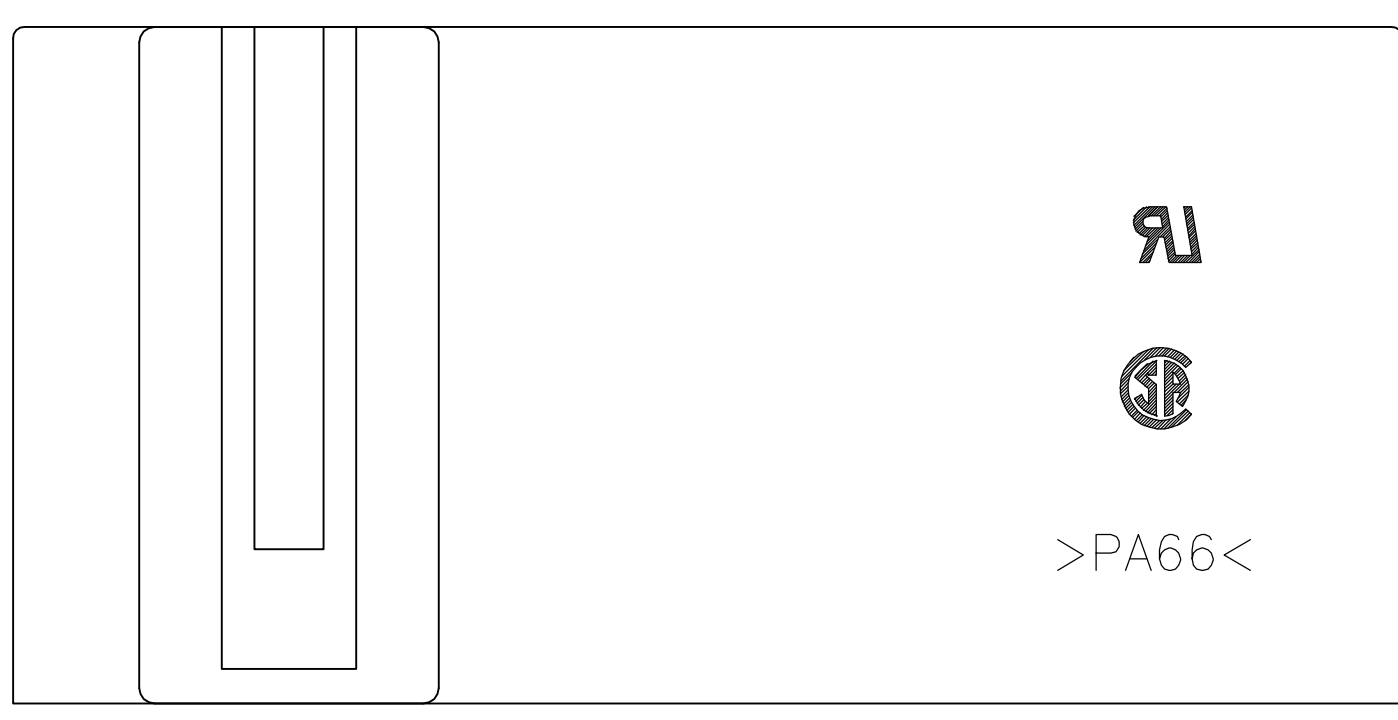
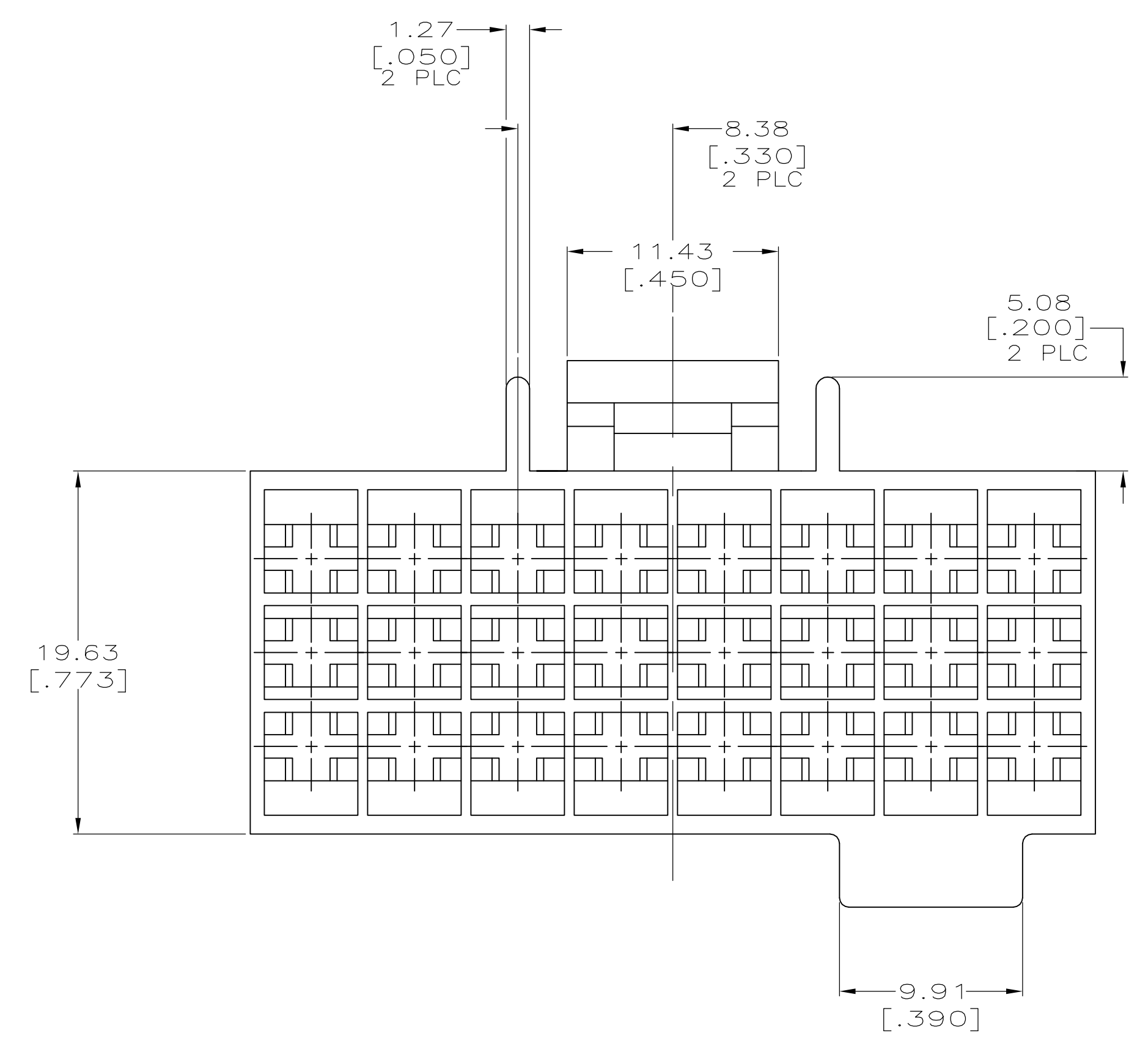


- 1 HOUSING ACCEPTS (24) 3.18 [.125] BLADE RECEPTACLES AMP P/N 61603-1 OR 61604-1.
- 2 PRELIMINARY - NOT FOR PRODUCTION



SECTION D-D



NATURAL	2	521115-2
BLACK		521115-1
COLOR		PART NO.

THIS DRAWING IS A CONTROLLED DOCUMENT.		DWN: PHILLIP M. FORTNEY 10/MAY/96	Tyco Electronics Corporation Harrisburg, Pa 17105-3608
DIMENSIONS: INCHES		CHK: MICHAEL S. FEHER 10/MAY/96	
TOLERANCES UNLESS OTHERWISE SPECIFIED:		APVD: D. DECKER 10/MAY/96	NAME: HOUSING, 24 POSITION, SIDE LATCHED, TIMER CONNECTOR
0 PLC ± -		PRODUCT SPEC	
1 PLC ± -		APPLICATION SPEC	
2 PLC ± 0.25 [.010]		SIZE	A1
3 PLC ± -		WEIGHT	00779
4 PLC ± -		CAGE CODE	521115
ANGLES ± -		RESTRICTED TO	
FINISH SEE TABLE		CUSTOMER DRAWING	
		SCALE	4:1
		SHEET	1 OF 1
		REV	H