

4

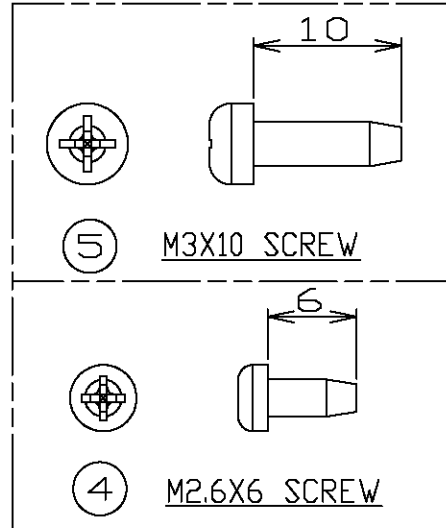
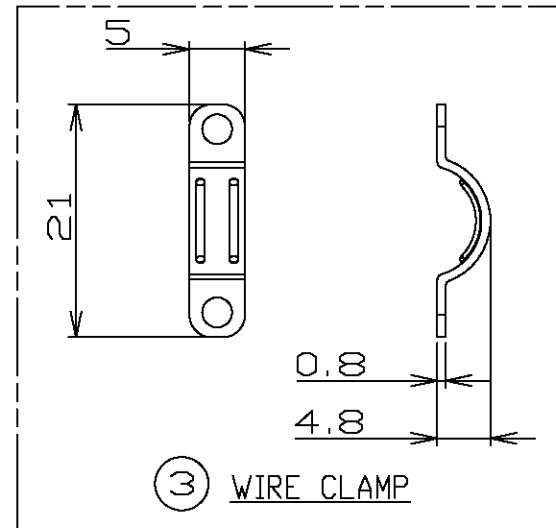
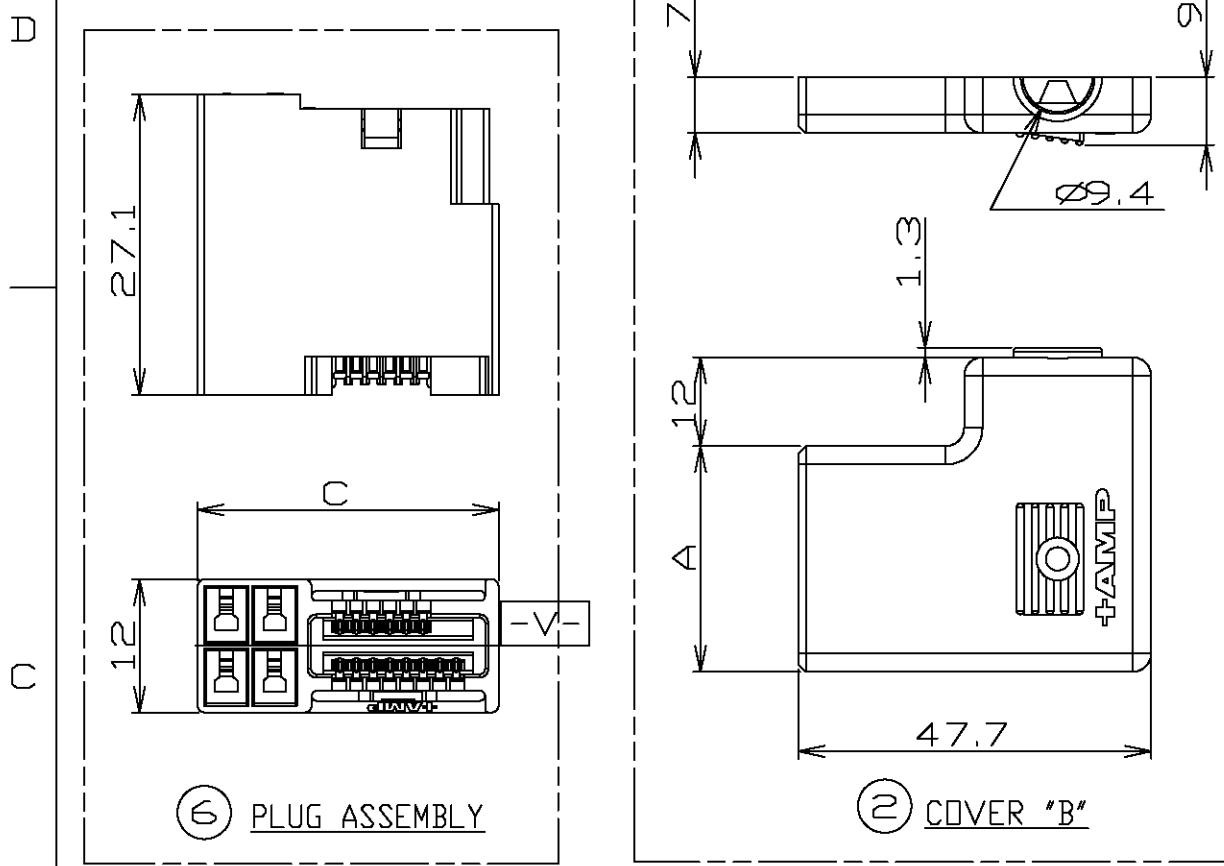
3

2

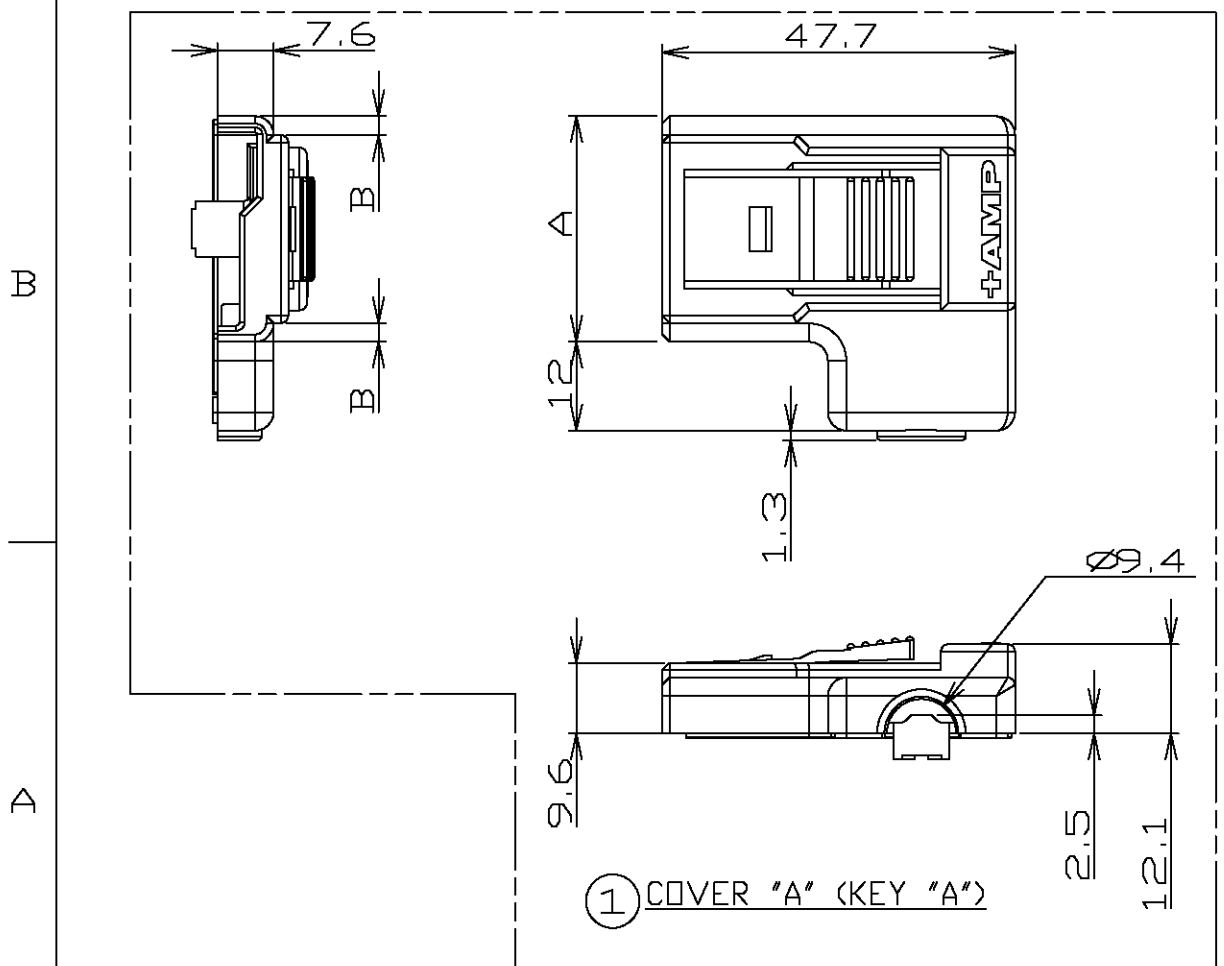
1

THIS DRAWING IS UNPUBLISHED. RELEASED FOR PUBLICATION  
 © COPYRIGHT BY TYCO ELECTRONICS CORPORATION. ALL RIGHTS RESERVED.

LOC ES	DIST 00	REVISIONS		
P	LTR	DESCRIPTION	DATE	DWN
A		REVISED FB00-0217-04	16DEC04	H.H
				APVD I.E



NOTES: THIS IS LEAD-FREE P/N.

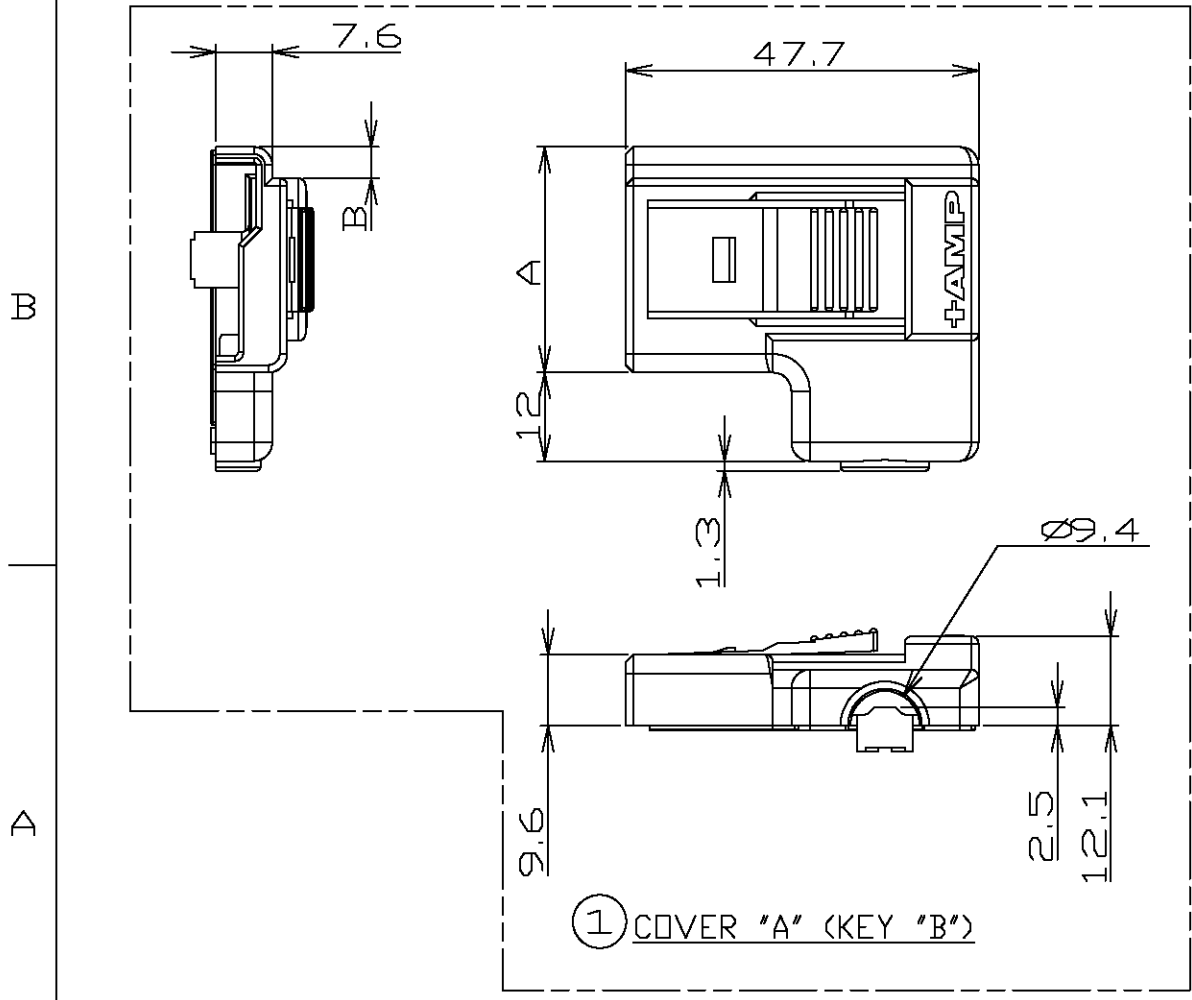
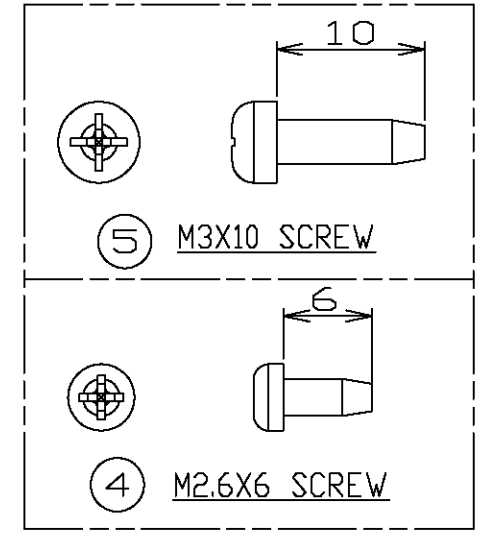
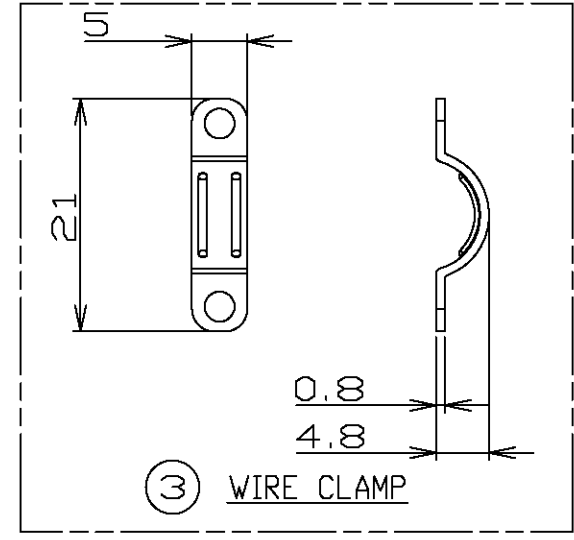
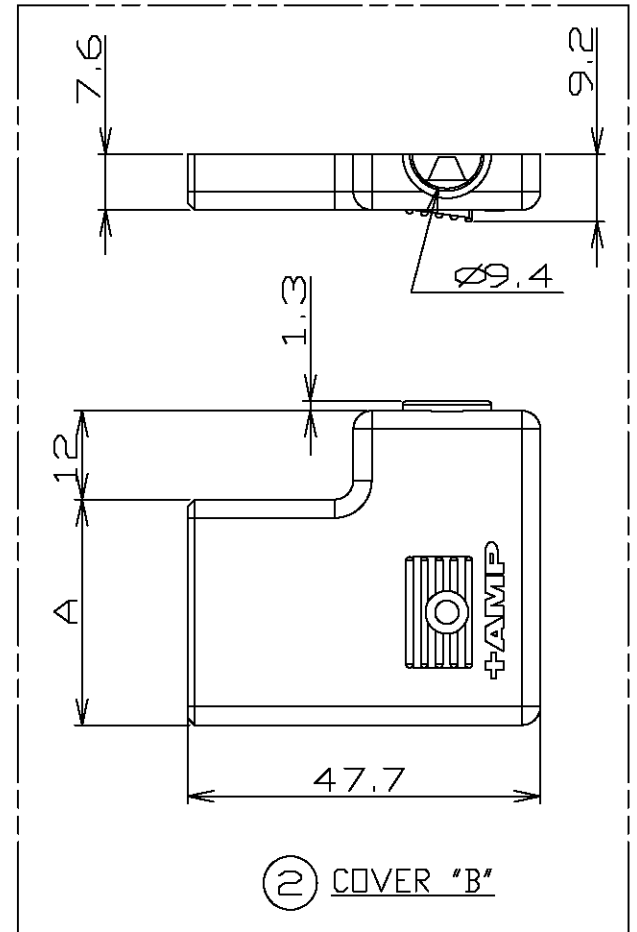
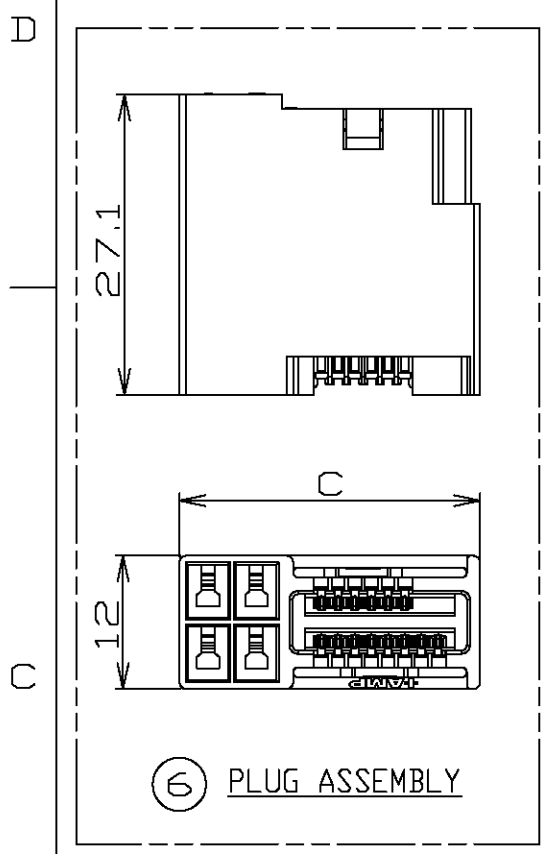


DIMENSIONS			QTY	MATERIAL & FINISH	DESCRIPTION	PART NUMBER	ITEM	KEY TYPE	PART NUMBER
27.1	—	—	1	THERMOPLASTIC, UL94V-0 COLOR: GRAY	PLUG ASSEMBLY, 14P	1-292245-4	⑥	A	1-292248-4
—	—	—	1	STEEL, ZINC PLATED	TAPTITE SCREW, P-TITE M3X10	292264-1	⑤		
—	—	—	2	STEEL, ZINC PLATED	TAPTITE SCREW, P-TITE M2.6X6	292263-1	④		
—	—	—	1	STEEL, ZINC PLATED	WIRE CLAMP	292265-1	③		
—	—	30.5	1	THERMOPLASTIC, UL94-HB, COLOR: GRAY	COVER "B", 14P	1-1123914-4	②		
—	2.55	30.5	1	THERMOPLASTIC, UL94-HB COLOR: GRAY	COVER "A", 14P, KEY "A"	1-1123913-4	①		

DIMENSIONS: mm 		TOLERANCES UNLESS OTHERWISE SPECIFIED: 0 PLC ± 1 PLC ± 2 PLC ± 3 PLC ± 4 PLC ± ANGLES ±		MATERIAL SEE TABLE		FINISH SEE TABLE		DWN J.JIANG 05FEB03 CHK S.YAO 05FEB03 APVD T.SASAKI 05FEB03 PRODUCT SPEC 108-60028 APPLICATION SPEC 114-5256 WEIGHT CUSTOMER DRAWING		Tyco Electronics Corporation Shanghai, P.R.China, 200233 NAME CABLE CLAMP KIT FOR AMP 1.5mm PITCH MINI CT HYBRID LATTICE CONNECTOR SIZE A3 CAGE CODE 00779 DRAWING NO C-292248 RESTRICTED TO - SCALE NON SHEET 1 OF 3 REV A	
-----------------------	--	---	--	-----------------------	--	---------------------	--	--	--	--	--

THIS DRAWING IS UNPUBLISHED. RELEASED FOR PUBLICATION  
 © COPYRIGHT BY TYCO ELECTRONICS CORPORATION. ALL RIGHTS RESERVED.

LOC	DIST	REVISIONS		
ES	00	P	LTR	DESCRIPTION
				DATE
				DWN
				APVD
		SEE SHEET 1		



DIMENSIONS			QTY	MATERIAL & FINISH	DESCRIPTION	PART NUMBER	ITEM	KEY TYPE	PART NUMBER
27.1	—	—	1	THERMOPLASTIC, UL94V-0 COLOR: GRAY	PLUG ASSEMBLY, 14P	1-292245-4	⑥		
—	—	—	1	STEEL, ZINC PLATED	TAPTITE SCREW, P-TITE M3X10	292264-1	⑤		
—	—	—	2	STEEL, ZINC PLATED	TAPTITE SCREW, P-TITE M2.6X6	292263-1	④	B	3-292248-4
—	—	—	1	STEEL, ZINC PLATED	WIRE CLAMP	292265-1	③		
—	—	30.5	1	THERMOPLASTIC, UL94-HB, COLOR: GRAY	COVER "B", 14P	1-1123914-4	②		
—	4.25	30.5	1	THERMOPLASTIC, UL94-HB COLOR: GRAY	COVER "A", 14P, KEY "B"	3-1123913-4	①		

DIMENSIONS: mm 		TOLERANCES UNLESS OTHERWISE SPECIFIED: 0 PLC ± 1 PLC ± 2 PLC ± 3 PLC ± 4 PLC ± ANGLES ±		DWN CHK APVD PRODUCT SPEC APPLICATION SPEC WEIGHT CUSTOMER DRAWING		<b>tyco</b> <b>Electronics</b> Tyco Electronics Corporation Shanghai, P.R.China, 200233		NAME <b>CABLE CLAMP KIT          FOR AMP 1.5mm PITCH MINI CT          HYBRID LATTICE CONNECTOR</b>		SIZE <b>A3</b>		CAGE CODE <b>00779</b>		DRAWING NO <b>C-292248</b>		RESTRICTED TO	
SEE TABLE		SEE TABLE		SCALE <b>NON</b>		SHEET <b>2</b> OF <b>3</b>		REV <b>A</b>									

4

3

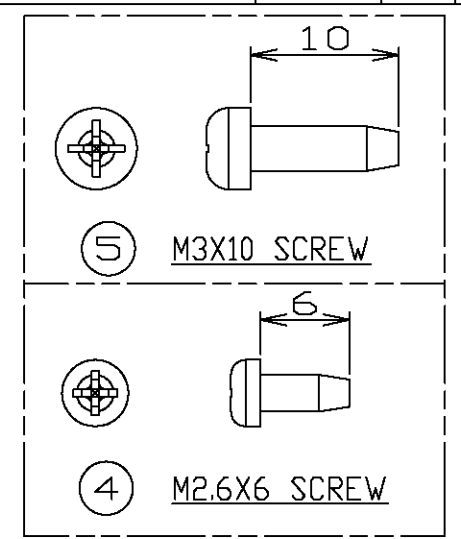
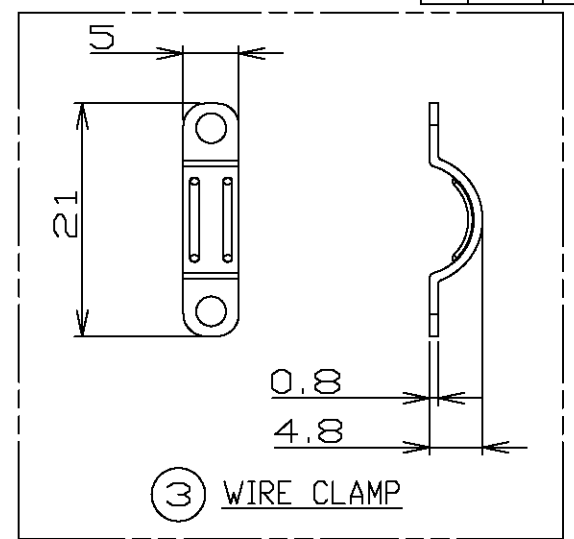
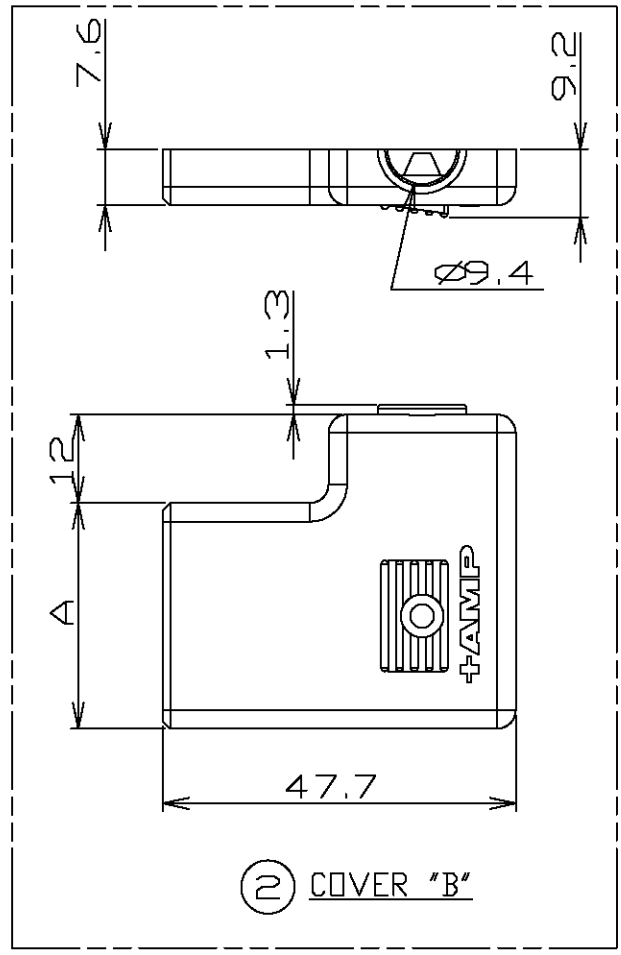
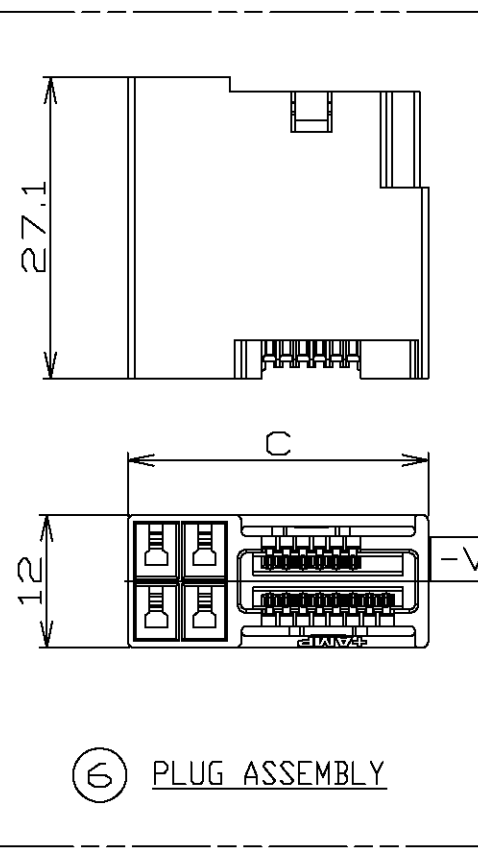
2

1

THIS DRAWING IS UNPUBLISHED. RELEASED FOR PUBLICATION  
© COPYRIGHT BY TYCO ELECTRONICS CORPORATION. ALL RIGHTS RESERVED.

LOC	DIST	REVISIONS					
ES	00	P	LTR	DESCRIPTION	DATE	DWN	APVD
		-	-	SEE SHEET 1	-	-	-

D



D

C

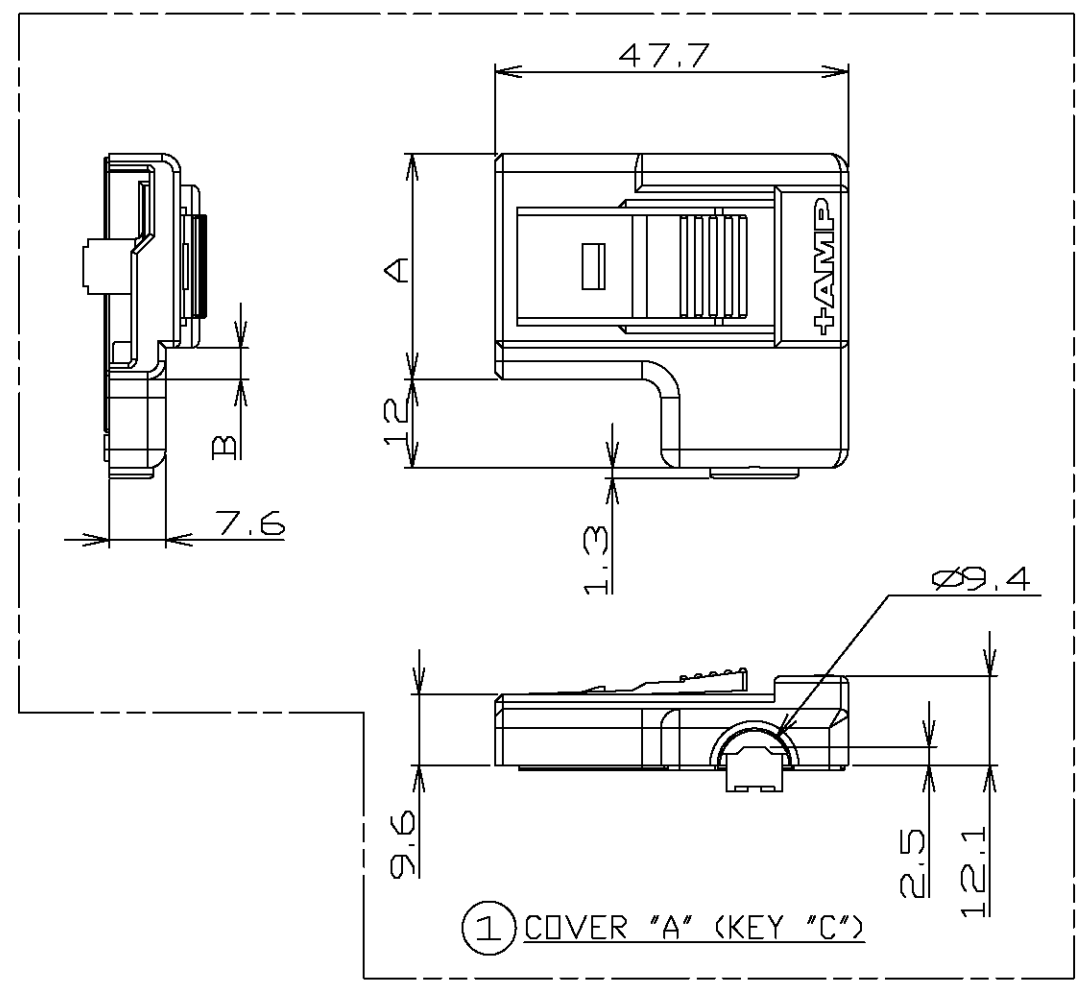
C

B

B

A

A



DIMENSIONS			QTY	MATERIAL & FINISH	DESCRIPTION	PART NUMBER	ITEM	KEY TYPE	PART NUMBER
27.1	—	—	1	THERMOPLASTIC, UL94V-0 COLOR: GRAY	PLUG ASSEMBLY, 14P	1-292245-4	⑥	C	5-292248-4
—	—	—	1	STEEL, ZINC PLATED	TAPTITE SCREW, P-TITE M3X10	292264-1	⑤		
—	—	—	2	STEEL, ZINC PLATED	TAPTITE SCREW, P-TITE M2.6X6	292263-1	④		
—	—	—	1	STEEL, ZINC PLATED	WIRE CLAMP	292265-1	③		
—	—	30.5	1	THERMOPLASTIC, UL94-HB, COLOR: GRAY	COVER "B", 14P	1-1123914-4	②		
—	4.25	30.5	1	THERMOPLASTIC, UL94-HB COLOR: GRAY	COVER "A", 14P, KEY "C"	5-1123913-4	①		

THIS DRAWING IS A CONTROLLED DOCUMENT FOR TYCO ELECTRONICS CORPORATION. IT IS SUBJECT TO CHANGE AND THE CONTROLLING ENGINEERING ORGANIZATION SHOULD BE CONTACTED FOR THE LATEST REVISION.

DIMENSIONS: mm	TOLERANCES UNLESS OTHERWISE SPECIFIED:	DWN	Tyco Electronics Corporation Shanghai, P.R.China, 200233
	0 PLC ±	CHK	
	1 PLC ±	APVD	
	2 PLC ±	PRODUCT SPEC	
MATERIAL	FINISH	WEIGHT	NAME <b>CABLE CLAMP KIT FOR AMP 1.5mm PITCH MINI CT HYBRID LATTICE CONNECTOR</b>
SEE TABLE	SEE TABLE	CUSTOMER DRAWING	SIZE: A3 CAGE CODE: 00779 DRAWING NO: C-292248 RESTRICTED TO:

SCALE: NON SHEET 3 OF 3 REV A