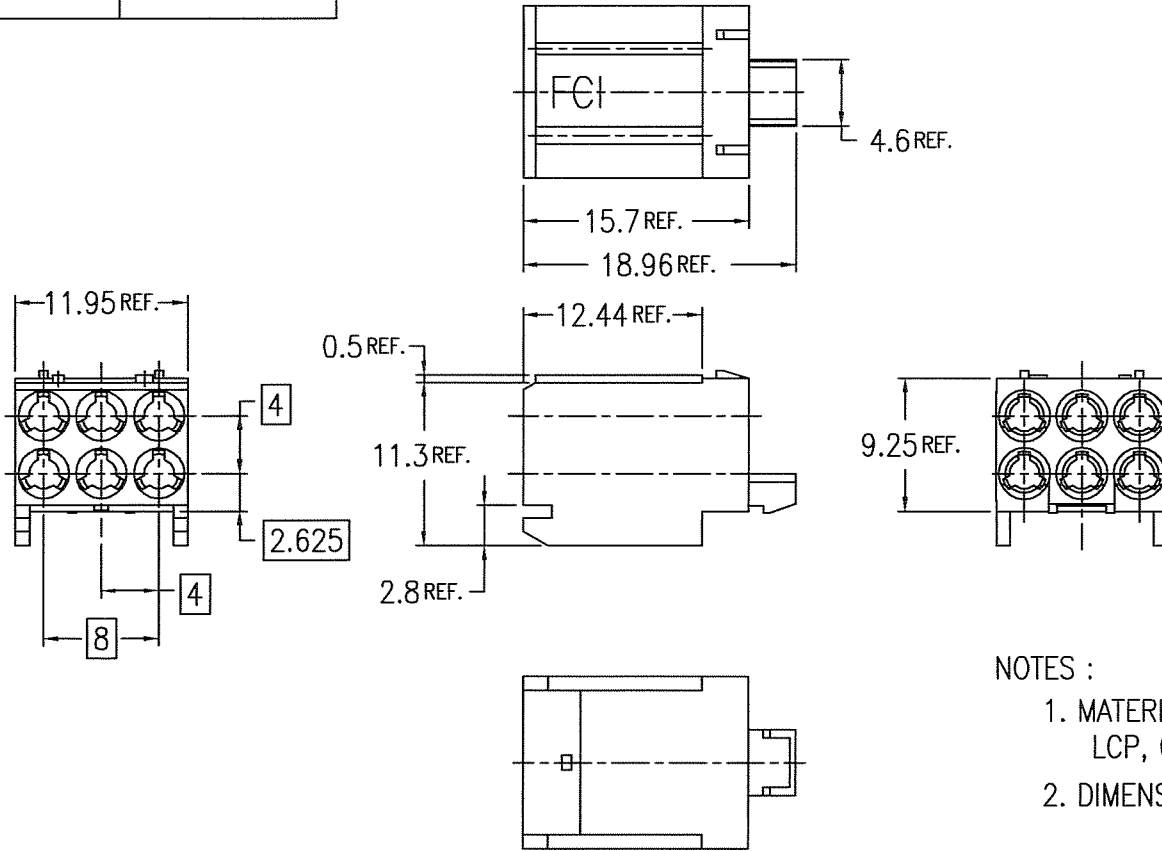


PRODUCT NO.	FCI MARKING
62471-001	WITHOUT
62471-0011	WITH



NOTES :

1. MATERIAL :  
LCP, COLOR NATURAL, UL94V-0
2. DIMENSIONS ARE FOR REFERENCE ONLY.

mat'l. code				surface		tolerance		projection		product family		CODE	
---				ISO 1302		ISO 406		⊕		METRAL		JP	
---				tolerances unless otherwise specified		ISO 1101		MM		title			
---				linear		0.X ±0.3		scale 2:1		METRAL MINI COAX CABLE CONN. HOUSING			
---				angles		0.XX ±0.3				dwg no		sheet 1 of 1	
---				0° ±2'		0.XXX ±0.3				62471		A4	
---				dr		Y.KODAIRA		3/23/04		FCI			
---				enrg		S.OKUDAIRA		1/18/07		type		Customer Drawing	
---				chr		R. Shoyji		1/18/07		Rev.		B	
---				appd		S. Okudaira		1/18/07					
sheet index		revision sheet		B		1							