

| | | | |
|--|------|-------------|----------|
| SIGN | DATE | DESCRIPTION | APPROVER |
| | | | Jacke |
| THIS IS CAD DRAWING, DO NOT REVISE MANUALLY!!! | | | |

Material

- Terminal body
- (metal housing): Brass(CuZn)
- Terminal screw: Steel Zinc plating "-" slot type
- Wire guard: PhBz (CuSn)
- Insulator (housing): Thermoplastic (UL94V-0)

Electrical

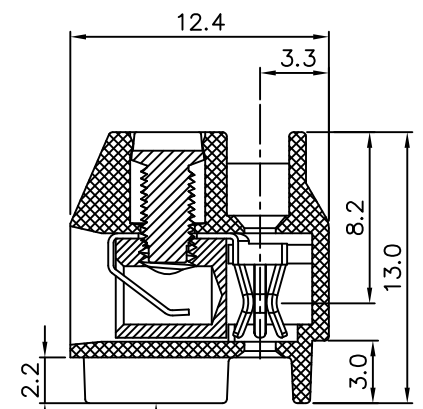
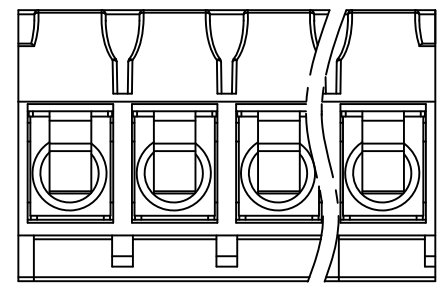
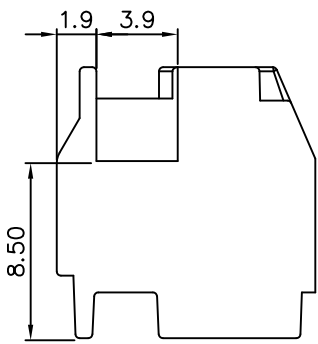
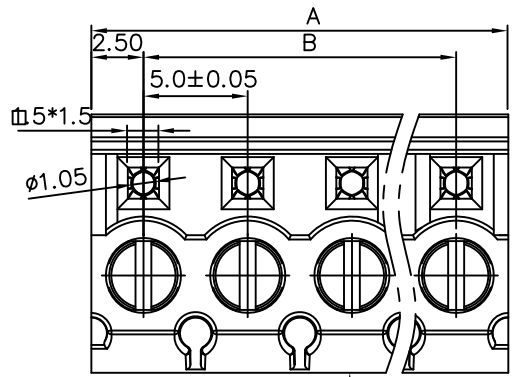
- Voltage rating: 300V
- Current rating: 10A
- Wire range:
 - Solid wire(AWG): 14-26
 - Stranded wire(AWG): 14-26
- Torque: 3.5Lb-In
- Screw: M2.6
- Wire strip length: 5-6mm
- Withstanding Voltage: 1.6KV
- Operating temperature: -40°C to +115°C

RoHS Compliant

PART NUMBER:

OSTKRXX0100

| | |
|--------------|---------------------|
| No. of Poles | COLOR |
| 02 2 Poles | 0: Black |
| 03 3 Poles | 5: Green (Standard) |
| ... | 6: Blue |
| 24 24 Poles | 8: Grey |



N = Number of poles
 Dim A=Nx5.0
 Dim B=(N-1)x5.0

| | □ | □ | □ | □ |
|--------|-------|-------|-------|-------|
| | Dim A | Dim B | Dim C | Dim D |
| 2P | ±0.05 | ±0.05 | ≤0.05 | ≤0.05 |
| 3-6p | ±0.15 | ±0.15 | ≤0.10 | ≤0.10 |
| 7-12p | ±0.20 | ±0.20 | ≤0.20 | ≤0.20 |
| 13-18p | ±0.30 | ±0.30 | ≤0.20 | ≤0.20 |
| 19-24p | ±0.40 | ±0.40 | ≤0.40 | ≤0.40 |

THESE DRAWINGS AND SPECIFICATIONS ARE THE PROPERTY OF ON-SHORE TECHNOLOGY, INC. AND SHALL NOT BE REPRODUCED, COPIED OR USED IN ANY MANNER WITHOUT THE PRIOR WRITTEN CONSENT OF ON-SHORE TECHNOLOGY, INC.



| | | | | | |
|------------|-------------|---------------------------------------|------------|-----------------|-----------|
| TITLE | | OSTKR 5.0mm Series "-" (Without hook) | | | |
| PART NO. | OSTKRXX0100 | DWG NO. | | OSTKRXX0100.DWG | |
| APPROVED | CHECKED | DESIGNED | DRAWN | | |
| Marvin | | Jacke | Jacke | | |
| 2009.04.08 | | 2009.03.31 | 2009.03.31 | | |
| | | | | Tolerance | |
| | | | | UNIT: mm | X. ±0.50 |
| | | | | SCALE: NONE | X.X ±0.30 |
| | | | | REV.: C | X' ±0.10 |
| | | | | | X' ±1' |