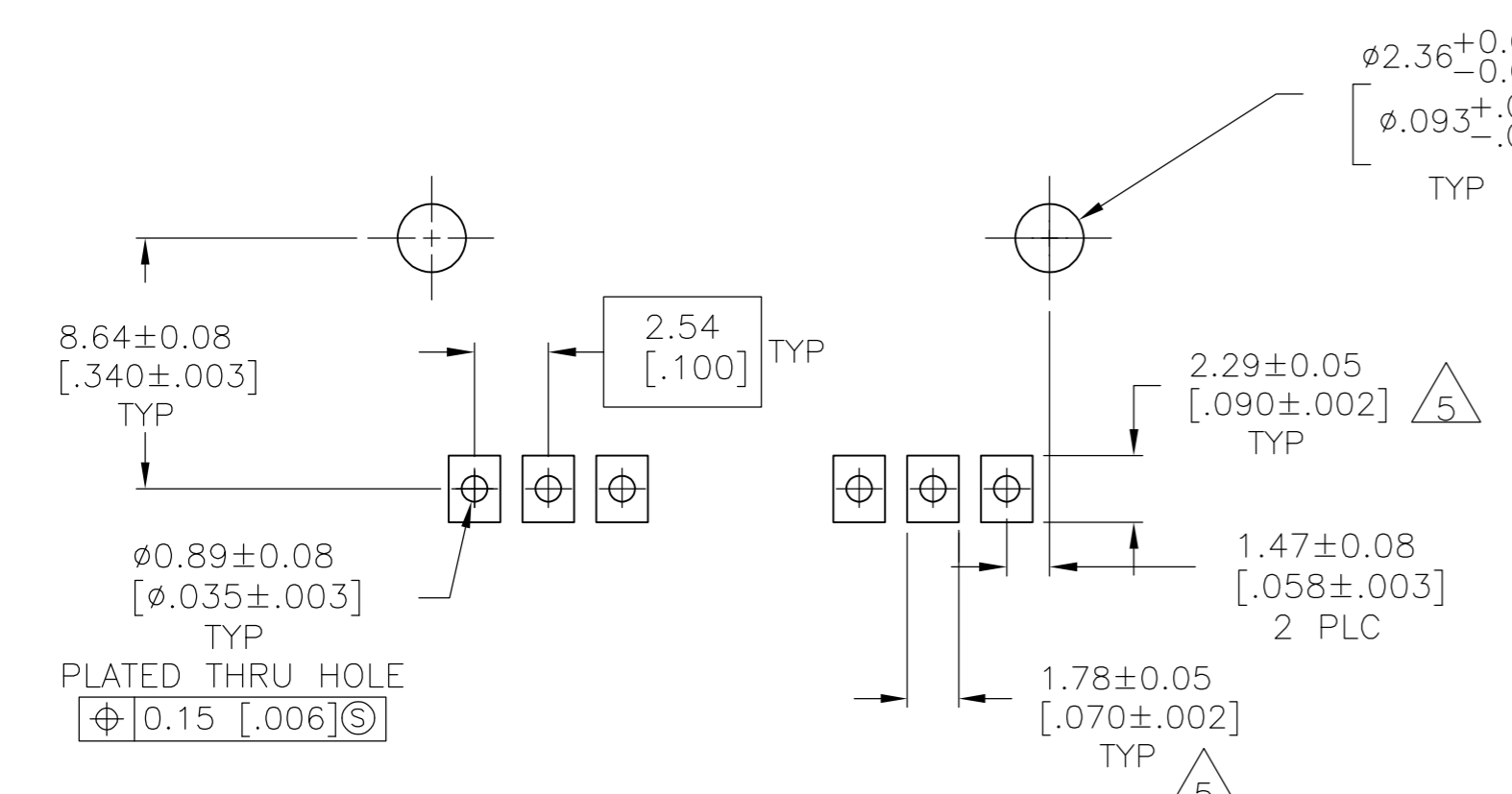
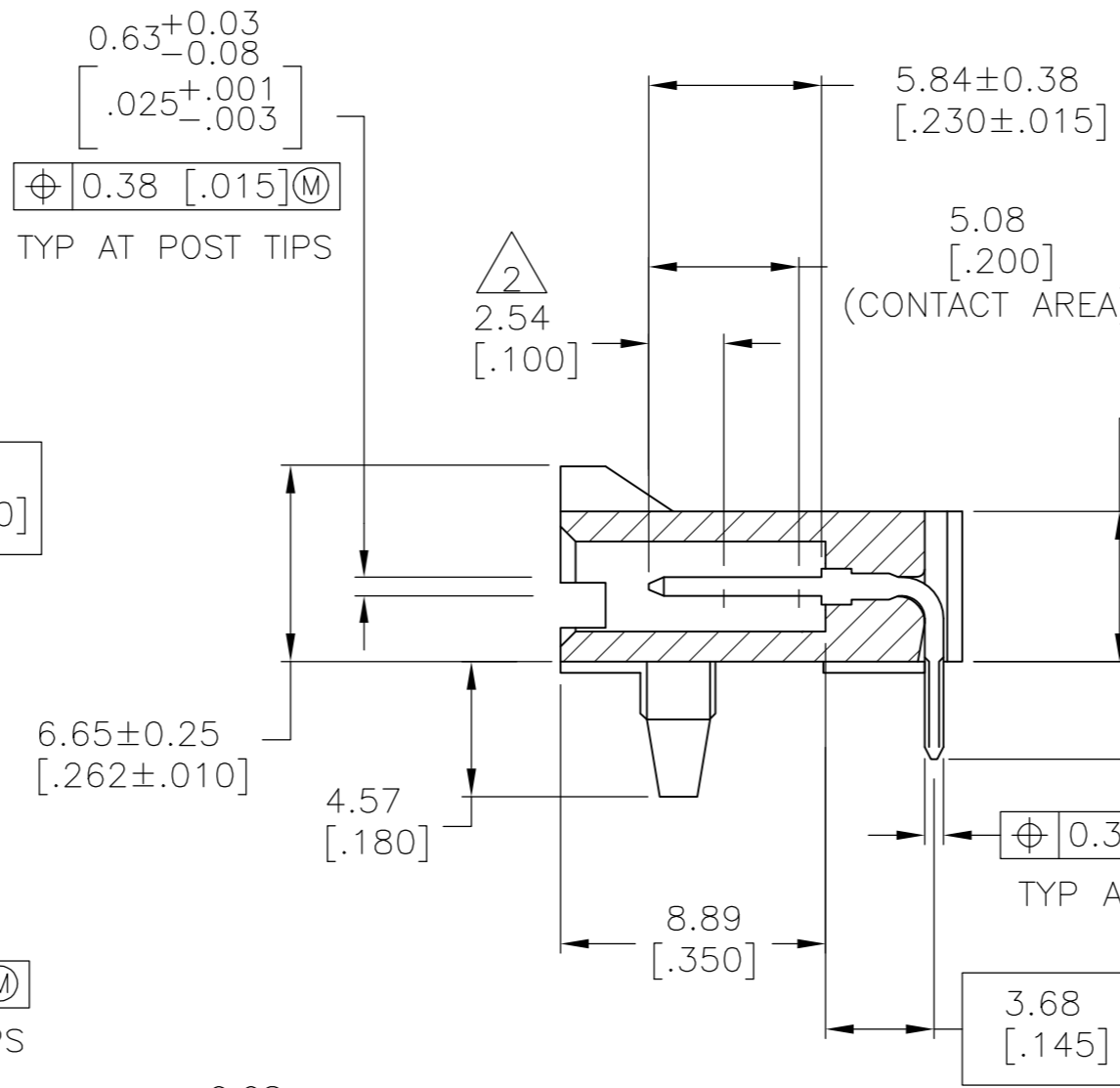
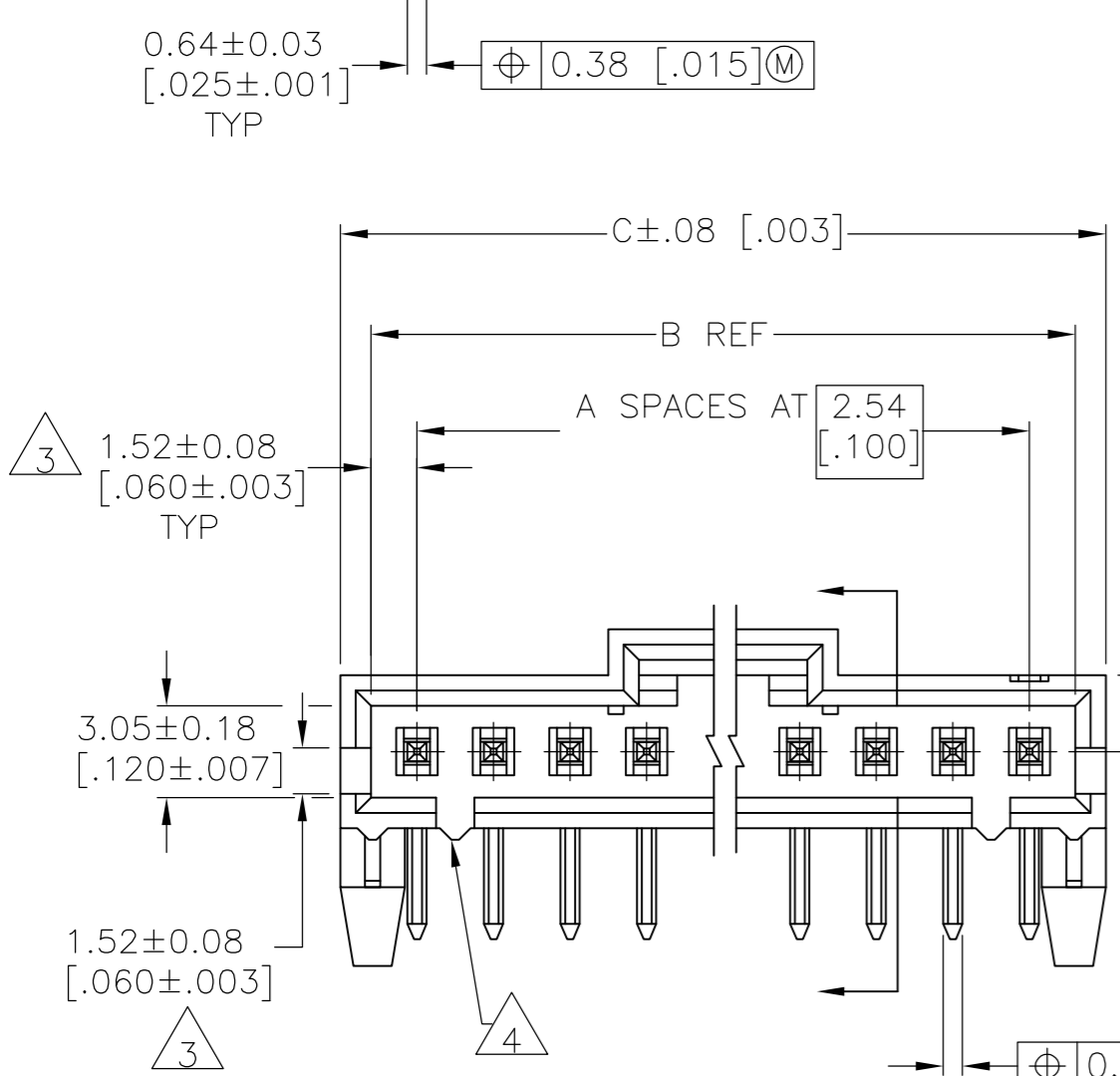
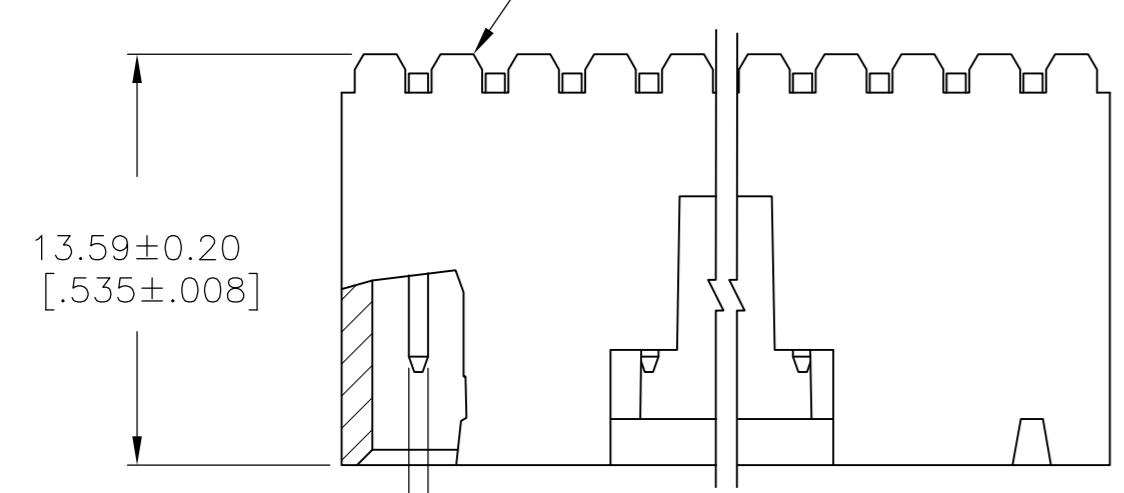


THIS DRAWING IS UNPUBLISHED. RELEASED FOR PUBLICATION  
 © COPYRIGHT BY TYCO ELECTRONICS CORPORATION. ALL RIGHTS RESERVED.

LOC		DIST		REVISIONS			
P	LTR	DESCRIPTION		DATE	DWN	APVD	
G		EC 0G3C 0798 04		29JAN05	BSV	JLG	
G1		REVISED PER ECO-09-020689		31AUG09	KK	AEG	

AMP TRADEMARK ON THIS SURFACE.



- 1 .00076[.000030] GOLD IN THE CONTACT AREA, .00254[.000100]-.0051[.000200] MATTE TIN-LEAD ON THE SOLDER TAIL, ALL OVER .000050 NICKEL
- 2 POINT OF MEASUREMENT FOR PLATING THICKNESS
- 3 THE NOTED DIMENSIONS APPLY FROM THE BASIC DIMENSION LINE (NOT THE POST CENTERLINE) TO THE SURFACE INDICATED
- 4 ON ASSEMBLIES WITH FOUR OR MORE POSITIONS, TWO POLARIZATION SLOTS. ON ASSEMBLIES WITH TWO OR THREE POSITIONS, ONE POLARIZATION SLOTS.
- 5 DIMENSION NOTED ARE FOR SOLDER STENCIL LAYOUT FOR USE WITH A 1.57±0.20[.062±0.008] THICK PRINTED CIRCUIT BOARD.
- 6. PARTS ARE PACKAGED IN GANG OF TUBES
- 7 HOUSING: HIGH TEMPERATURE THERMOPLASTIC, COLOR BLACK. POST: BRASS
- 8 PRELIMINARY PART - NOT RELEASED FOR PRODUCTION.
- 9 .00076[.000030] GOLD IN THE CONTACT AREA, .00254[.000100]-.0051[.000200] MATTE TIN ON THE SOLDER TAIL, ALL OVER .000050 NICKEL
- 10 OBSOLETE PARTS: OBSOLETE CIS STREAMLINING PER D.RENAUD/D.SINISI

PLATING	C	B	A	NO. OF POSN	PART NO.	
8	9	40.64 [1.600]	38.61 [1.520]	14	15	6-104681-4
8	9	22.86 [.900]	20.83 [.820]	7	8	5-104681-7
	9	10.16 [.400]	8.13 [.320]	2	3	5-104681-2
	9	7.62 [.300]	5.59 [.220]	1	2	5-104681-1
8	1	40.64 [1.600]	38.61 [1.520]	14	15	1-104681-4
8	1	22.86 [.900]	20.83 [.820]	7	8	104681-7
SUPERCEDED	1	10.16 [.400]	8.13 [.320]	2	3	104681-2
	1	7.62 [.300]	5.59 [.220]	1	2	104681-1

RECOMMENDED PC BOARD MOUNTING DIMENSIONS  
 RECOMMENDED STENCIL THICKNESS = .25[.010]

THIS DRAWING IS A CONTROLLED DOCUMENT.

DWN	M.BINNER	28FEB01
CHK	K.WRIGHT	07MAR01
APVD	K.WRIGHT	07MAR01
PRODUCT SPEC		
APPLICATION SPEC		
WEIGHT	-	
CUSTOMER DRAWING		

**Tyco Electronics** Tyco Electronics Corporation  
 Harrisburg, Pa 17105-3608

NAME: HDR ASSY, AMPMODU MTE, RTANG, SINGLE ROW, .100, .025 SQ POST, WITH LATCH & HOLD DOWNS

SIZE: A2 CAGE CODE: 00779 DRAWING NO: C=104681 RESTRICTED TO: -

SCALE: 4:1 SHEET: 1 OF 1 REV: G1