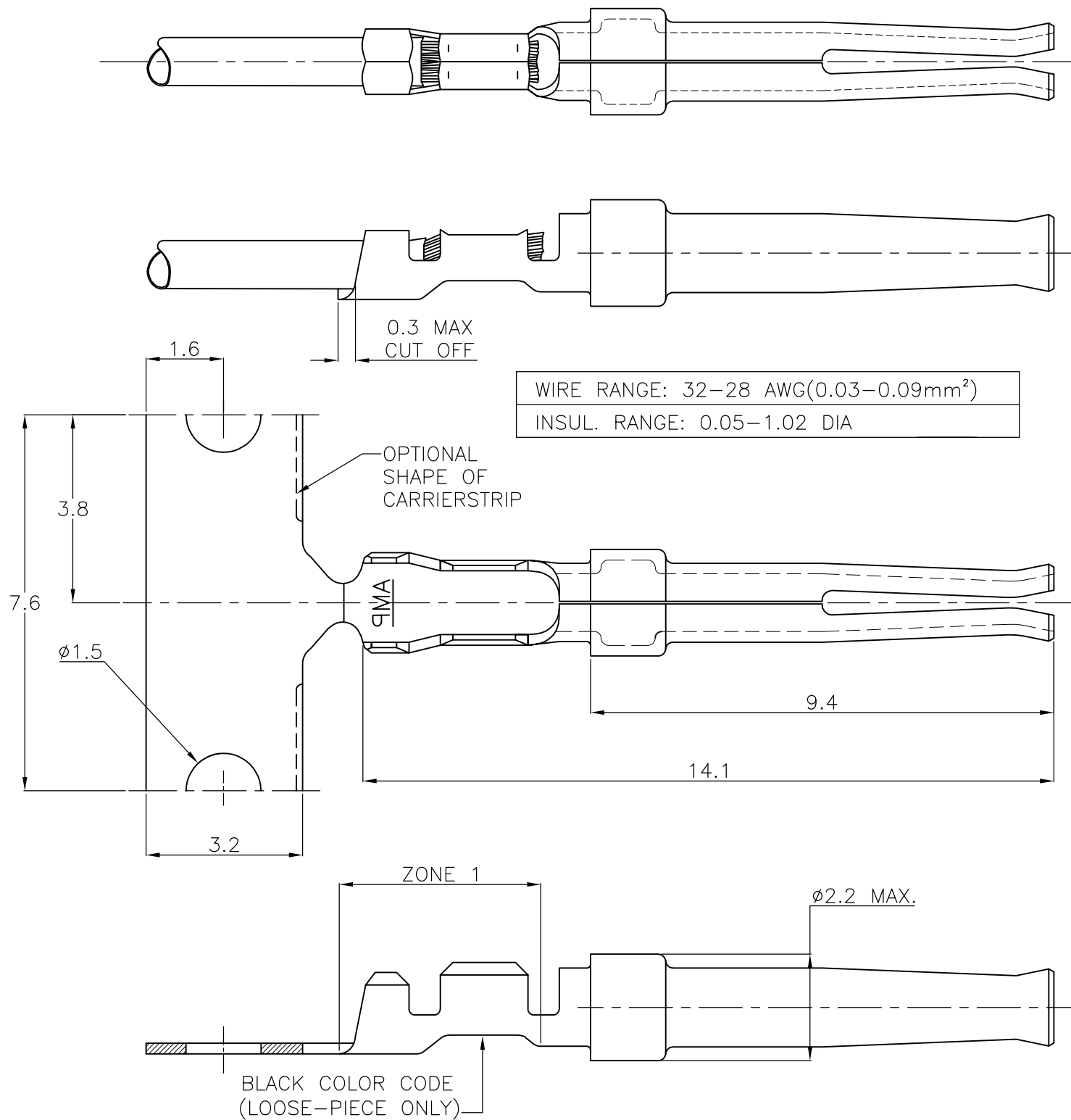


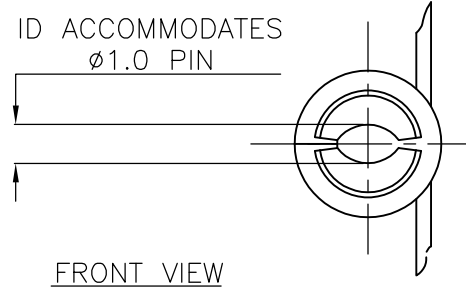
THIS DRAWING IS UNPUBLISHED. RELEASED FOR PUBLICATION
 © COPYRIGHT - By - ALL RIGHTS RESERVED.

| | | | | | | | |
|-----|------|-----------|-----|---------------------------|-----------|-----|------|
| LOC | DIST | REVISIONS | | | | | |
| GP | 00 | P | LTR | DESCRIPTION | DATE | DWN | APVD |
| | | | H | REVISED PER ECO-11-022158 | 08NOV2011 | CJV | CWR |



- 1 FOR MINI-APPLICATOR CRIMPING.
- 2 FOR STANDARD APPLICATOR CRIMPING.
- 3 FOR REEL-FEED HANDTOOL CRIMPING, 500 CONTACTS ON A SMALL REEL.
- 4. MATERIAL: PHOSPHOR BRONZE.
- 5 UNDERCOATING: 1.3µm NICKEL. SELECTIVE: 0.8µm GOLD. REMAINDER: GOLD FLASH.
- 6 UNDERCOATING: 1.3µm NICKEL. SELECTIVE: 0.8µm GOLD. ZONE 1: BRIGHT TIN.
- 7 UNDERCOATING: 0.8µm NICKEL. SELECTIVE: 0.4µm GOLD. REMAINDER: GOLD FLASH.
- 8 UNDERCOATING: 0.8µm NICKEL. SELECTIVE: 0.4µm GOLD. ZONE 1: BRIGHT TIN.
- 9 UNDERCOATING: 1.3µm NICKEL. SELECTIVE: 1.3µm GOLD. REMAINDER: GOLD FLASH.
- 10 UNDERCOATING: 0.8µm NICKEL. SELECTIVE: 2.0µm GOLD. REMAINDER: BRIGHT TIN.
- 11 UNDERCOATING: 0.8µm NICKEL. SELECTIVE: 0.2µm GOLD. REMAINDER: GOLD FLASH.
- 12 UNDERCOATING: 0.8µm NICKEL. SELECTIVE: 0.2µm GOLD. ZONE 1: BRIGHT TIN.
- 13 OBSOLETE PARTS: OBSOLETE CIS STREAMLINING PER D. RENAUD/ D. SINISI

| | | | | | | | |
|--------|-------------|-------------|---|-------------|------------|-------------|---|
| 13 | 12 | 1-166998-3 | - | - | 1-166996-3 | | |
| 13 | 11 | 1-166998-2 | - | - | 1-166996-2 | | |
| 13 | 9 | 166998-7 | - | - | 166996-7 | | |
| | 8 | 166998-6 | - | - | 166996-6 | | |
| | 7 | 166998-5 | - | - | 166996-5 | | |
| | 10 | - | - | - | 166996-4 | | |
| | 6 | 166998-3 | - | - | 166996-3 | | |
| | 5 | 166998-2 | - | - | 166996-2 | | |
| FINISH | LOOSE PIECE | PART NUMBER | 3 | PART NUMBER | 2 | PART NUMBER | 1 |



THIS DRAWING IS A CONTROLLED DOCUMENT.

| | | | |
|----------------|--|----------------------------|---|
| DIMENSIONS: mm | TOLERANCES UNLESS OTHERWISE SPECIFIED: | DWN C. VALENTINE 08NOV2011 | TE Connectivity |
| | 0 PLC ± - | CHK C. ROHDE 08NOV2011 | |
| | 1 PLC ± 0.127 | APVD C. ROHDE 08NOV2011 | |
| | 2 PLC ± - | NAME | |
| MATERIAL | FINISH SEE TABLE | PRODUCT SPEC 108-40005 | SOCKET CONTACT, SIZE 20 DF. |
| | | APPLICATION SPEC 114-10000 | RESTRICTED TO |
| | | WEIGHT - | SIZE A3 CAGE CODE 00779 DRAWING NO C-166996 |
| | | CUSTOMER DRAWING | SCALE NTS SHEET 1 OF 1 REV H |