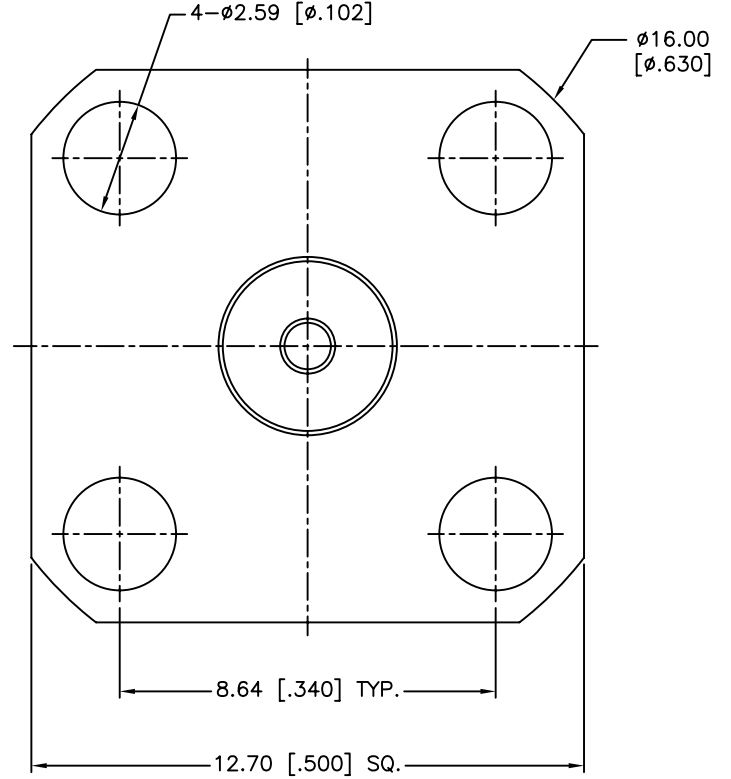
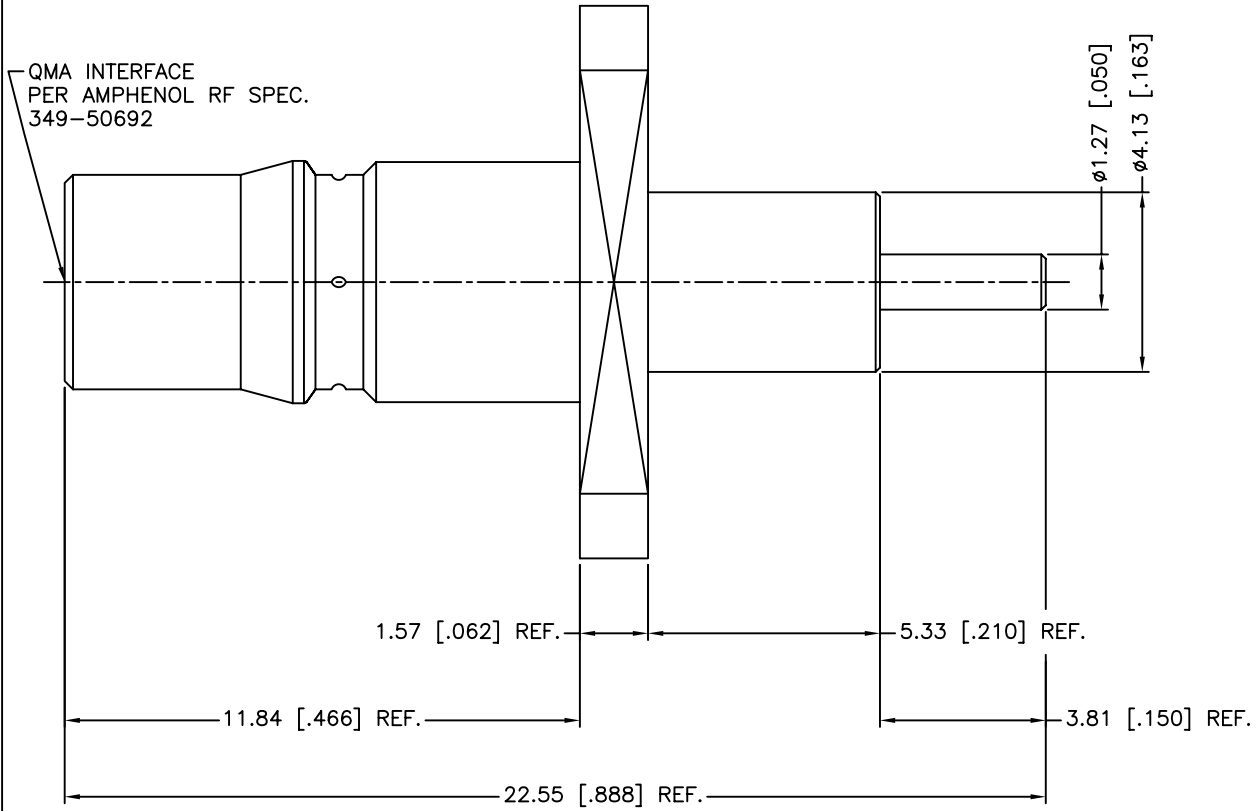
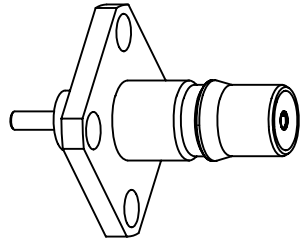


REV.	DATE	ECR NO.	DESCRIPTION
NC	05/28/11	XXXXXX	INITIAL RELEASE



- FREQUENCY RANGE: DC 0-6 GHZ
- VSWR(RETURN LOSS): -32 dB TO 3 GHZ MAX.  
-25 dB TO 6 GHZ MAX.
- DURABILITY: 500 CYCLES MIN.
- TEMPERATURE RANGE: -40°C ~ +80°C
- CONTACT PIN MUST WITHSTAND A 6 LBS. AXIAL FORCE AND A 4 IN-OZ. MIN TORQUE
- PACKAGING:  
A. QUANTITY: SINGLE PACK  
B. MARKING: BAG TO BE MARKED "AMPHENOL, 134103, AND DATE CODE"



UNLESS OTHERWISE SPECIFIED DIMENSIONS ARE IN MILLIMETERS. DIMENSIONS IN [ ] ARE IN INCHES AND FOR CUSTOMER REFERENCE ONLY.

UNLESS OTHERWISE SPECIFIED TOLERANCES FOR MILLIMETERS ARE:  
0.5 - 8mm ± 0.20mm  
8 - 30mm ± 0.40mm  
30 - 120mm ± 0.50mm

UNLESS OTHERWISE SPECIFIED TOLERANCES FOR INCHES ARE:  
.020 - .315 = ± 0.007"  
.315 - 1.180 = ± 0.015"  
1.180 - 4.724 = ± 0.020"

DO NOT SCALE DRAWING

APPROVALS		DATE
DRAWN	M.ZHANG	05/28/11
CHECKED		
ISSUED		
SHEET	1 OF 1	
CAD FILE	C:/CONNEX/134103.DWG	

**Amphenol Connex**

PART DESCRIPTION  
**QMA PANEL RECEPTACLE - 50 ohm  
EXTENDED TEFLON/CONTACT(.210"/.150")**

PART NO.  
**134103**

DWG. NO. 134103.DWG    REV. NC    SIZE A    SCALE NA

QTY	FINISH	MATERIAL	DESCRIPTION
1	NEXCOTE	BRASS	BODY
1	NATURAL	PTFE	INSULATOR
1	GOLD	BERYLLIUM COPPER	CONTACT PIN