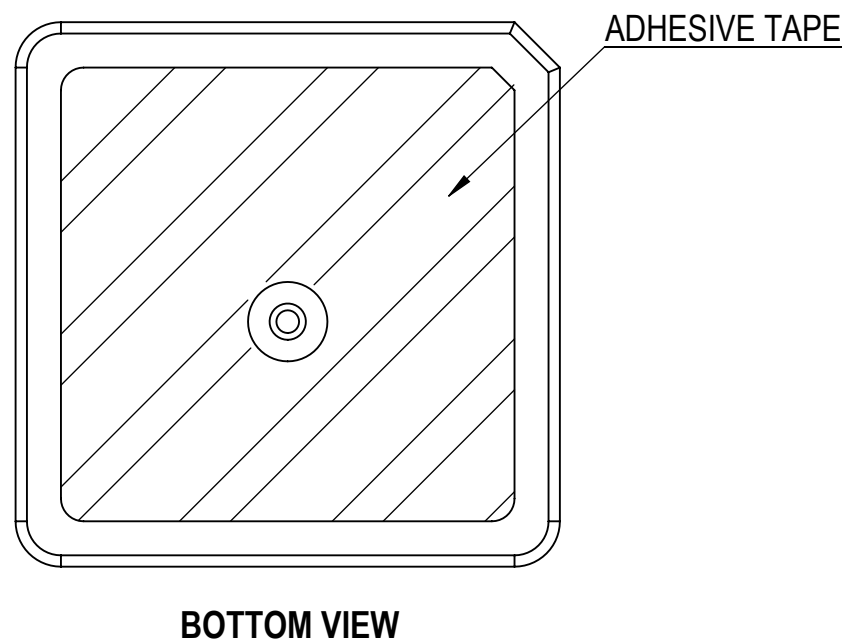
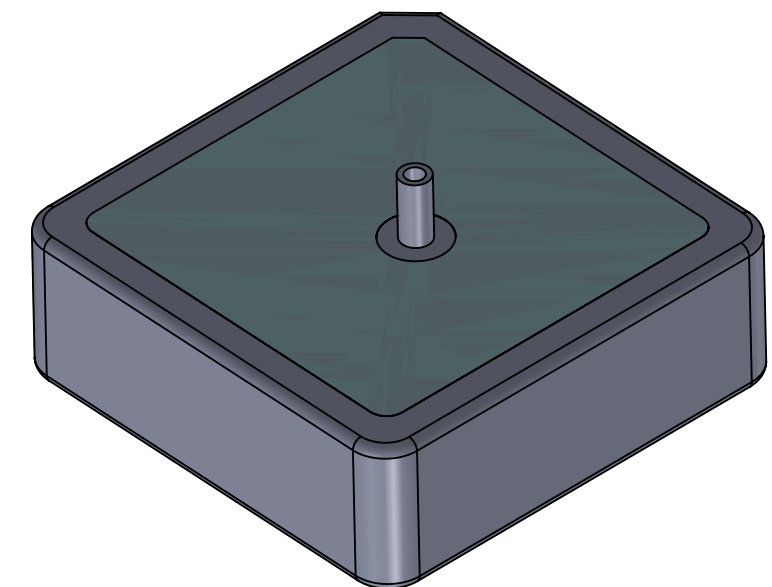
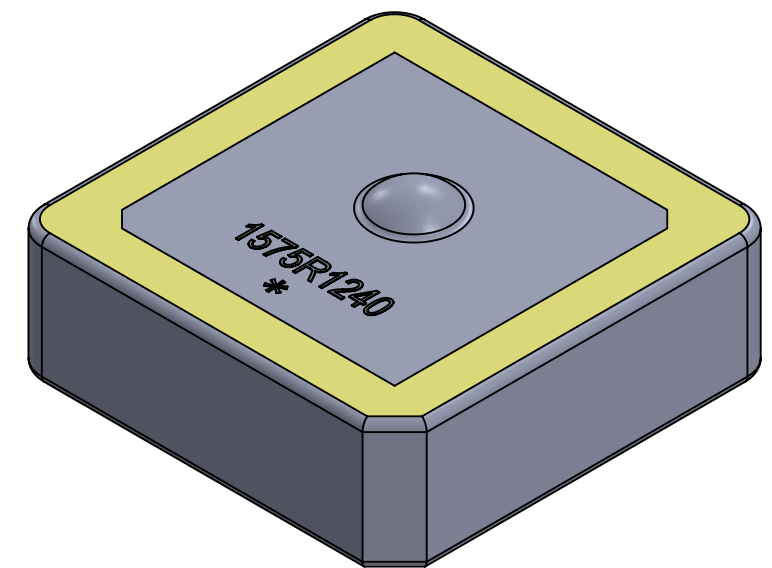



\* : EIAJ Monthly Code



UNLESS OTHERWISE SPECIFIED: DIMENSIONS ARE IN MM SURFACE FINISH: TOLERANCES: LINEAR: ANGULAR:				FINISH:		DEBUR AND BREAK SHARP EDGES		DO NOT SCALE DRAWING		REVISION -	
DRAWN XXXXXX				SIGNATURE		DATE		 <b>ABRACON CORPORATION</b> 30332 Esperanza, Rancho Santa margarita, California 92688			
CHK'D XXXXXX				APPV'D		MFG					
Q.A				MATERIAL:		WEIGHT:		TITLE: 1575.42MHz; 12X12X4mm GPS PATCH ANTENNA		DWG NO. A3	
								SCALE:6:1		SHEET 1 OF 1	