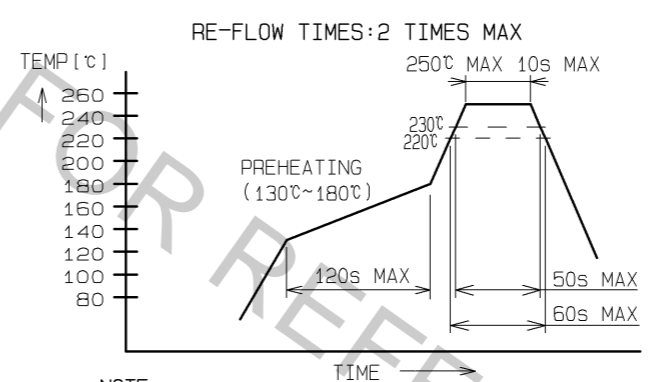


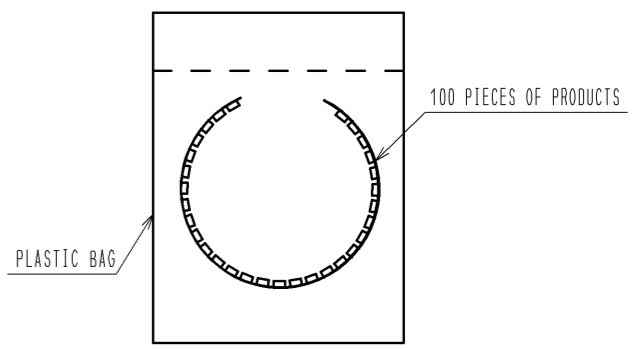
NOTE 1. THE QUANTITY OF H.FL/S-R-SMT(10) IS 100 CONNECTORS PER PACK.

- 2 THIS DIMENSION SHOWS THE ALLOWABLE RANGE THAT THE RESIN IS PUT OVER THE CENTER CONTACT.
- 3. FOR THE POSSIBILITY OF BREAKAGE OR DEFORMATION, DO NOT MATE THIS CONNECTOR WITH PARTNER, H.FL/S-LP-\*\*\* BEFORE MOUNTING ON PC BOARD.
- 4. USE ALL PRODUCTS WITHIN 6 MONTHS AFTER THE DELIVERY. STORE THEM IN MANUFACTURER'S PACKAGE OR TIGHTLY RE-CLOSED BOX WITH THE FOLLOWING CONDITIONS. CHECK THE TERMINAL SOLDERABILITY BEFORE USE IF THE PRODUCT HAS BEEN STORED FOR MORE THAN 6 MONTHS.  
TEMPERATURE: -10°C TO +40°C  
HUMIDITY : 15 TO 85% RH.
- 5. ENVIRONMENTAL CONDITIONS  
DO NOT USE THE PRODUCTS UNDER THE ENVIRONMENTAL CONDITIONS AS SHOWN BELOW DUE TO POSSIBLE PRODUCT DETERIORATION.  
SPECIAL GAS ATMOSPHERE (HYDROGEN SULFIDE GAS, SULFUR SULFIDE GAS AND HYDROGEN CHLORIDE GAS)  
PLACE ATTENTION REQUIRED: HEATING SYSTEM, AREA NEAR HOT SPRING, VOLCANIC MOUNTAIN AND ALIKE.  
WATER SPLASHED AND CONDENSATION PLACES.  
PLACE ATTENTION REQUIRED: HARSH TEMPERATURE CHANGE.
- 6. THIS IS A NON-MAGNETIC CONNECTOR.

MOUNTING TEMPERATURE PROFILE (REFERENCE)



NOTE MOUNTING TEMPERATURE PROFILE VARIES ACCORDING TO BOARD SIZE, SOLDER TYPE APPLIED AND SOLDER THICKNESS.



100PCS/PACK.  
ROHS COMPLIANT  
NON MAGNETIC

3	BRASS	SILVER PLATING	5	PET				
2	LCP	(BLACK), UL94V-0	4	PS				
1	PHOSPHOR BRONZE	SILVER PLATING						
NO.	MATERIAL	FINISH . REMARKS	NO.	MATERIAL	FINISH . REMARKS			
UNITS	mm	SCALE	10:1	COUNT	DESCRIPTION OF REVISIONS	DESIGNED	CHECKED	DATE
APPROVED : MH. YAMANE		14.03.31		DRAWING NO.		EDC3-325188-01		
CHECKED : NK. NINOMIYA		14.03.28		PART NO.		H. FL/S-R-SMT(01)		
DESIGNED : RO. YOKOYAMA		14.03.28		CODE NO.		CL331-0805-3-01		
DRAWN : RO. YOKOYAMA		14.03.28						