

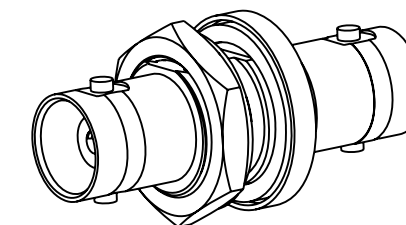
NOTES:

1. MATERIALS AND FINISHES:  
 BODIES - BRASS, NICKEL PLATING  
 CONTACT - BeCu, SILVER PLATING  
 INSULATOR - PTFE, NATURAL
2. ELECTRICAL:  
 A. IMPEDANCE: 50 OHM
3. MECHANICAL:  
 A. DURABILITY: 500 CYCLES MIN.  
 B. TEMPERATURE RANGE: -65° C TO +165° C
4. PACKAGING:  
 A. QUANTITY: SINGLE PACK  
 B. MARKING: BAG TO BE MARKED  
 "AMPHENOL RF, 4525, AND DATE CODE"  
 C. GASKET, LOCK WASHER AND HEX ARE PACKAGED LOOSE.

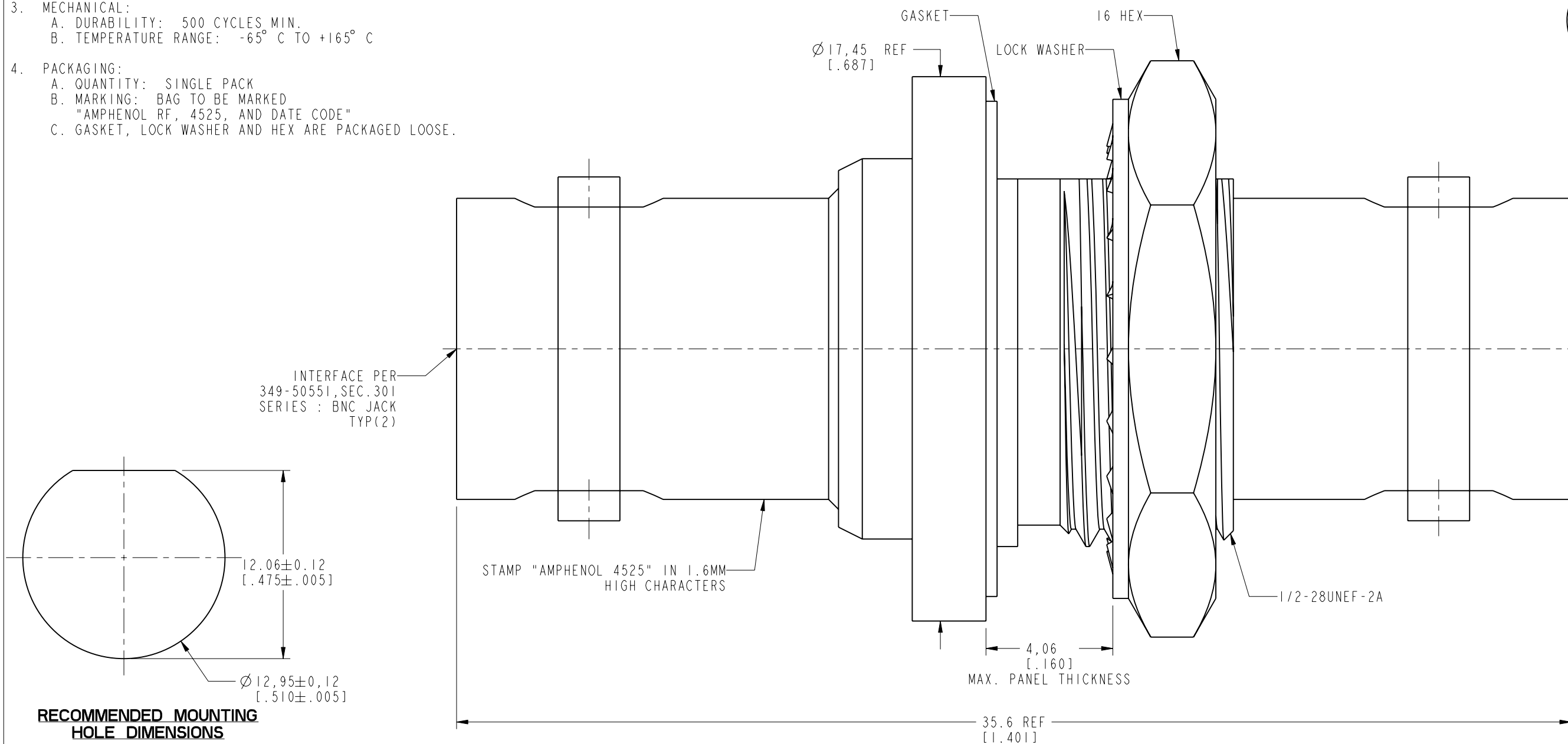
THIRD ANGLE PROJ.

REVISIONS

REV	DESCRIPTION	DATE	ECO	APPR
--	RELEASE TO MFG.	--	--	--
T	REDRAWN IN PRO-E & COD SHEET ADDED	18-May-15	50266	AAP



SCALE 1.500



INTERFACE PER  
 349-50551, SEC. 301  
 SERIES : BNC JACK  
 TYP(2)

STAMP "AMPHENOL 4525" IN 1.6MM  
 HIGH CHARACTERS

**RECOMMENDED MOUNTING  
 HOLE DIMENSIONS**

**CUSTOMER OUTLINE DRAWING**

ALL OTHER SHEETS ARE FOR INTERNAL USE ONLY

UNLESS OTHERWISE SPECIFIED, DIMENSIONS ARE IN METRIC AND TOLERANCES ARE: < 0.5mm ± 0.05mm    0.5 - 6mm ± 0.1mm    6 - 30mm ± 0.2mm    30 - 120mm ± 0.3mm    ANGLES ± 1°  NOTICE - These drawings, specifications, or other data (1) are, and remain the property of Amphenol corp. (2) must be returned upon request; and (3) are confidential and not to be disclosed to any person other than those to whom they are given by Amphenol Corp. the furnishing of these drawings, specifications, or other data by Amphenol Corp., or to any other person to anyone for any purpose is not to be regarded by implication or otherwise in any manner licensing, granting rights to permitting such holder or any other person to manufacture, use or sell any product, process or design, patented or otherwise, that may in any way be related to or disclosed by said drawings, specifications, or other data.	MATERIAL	DRAWN STAR	DATE 18-May-15	TITLE BNC STR JACK TO BNC STR BHD JACK ADAPTER 50 OHM NON-PRESSURIZED	Amphenol RF www.amphenolrf.com
	REFERENCE	ENGINEER D. ROYCE	DATE 17-Oct-89		
	CONFIGURATION LEVEL: In Work	APPROVED S. HSIEH	DATE 18-May-15	SCALE: 7.0:1.0    SHEET 2 OF 2	DRAWING NO. 4525
	FINISH	CAD FILE	DWG SIZE B	REV T	ITEM NO. 4525 PART NO. 4525