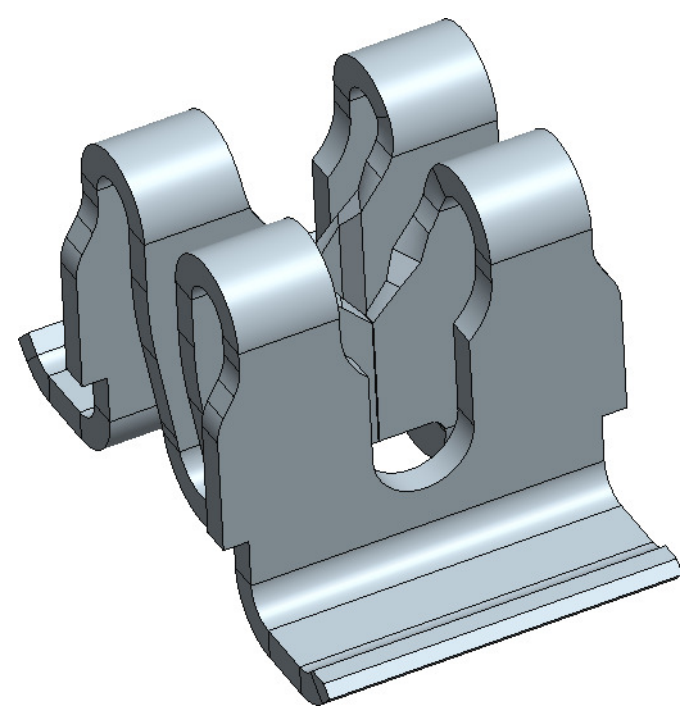
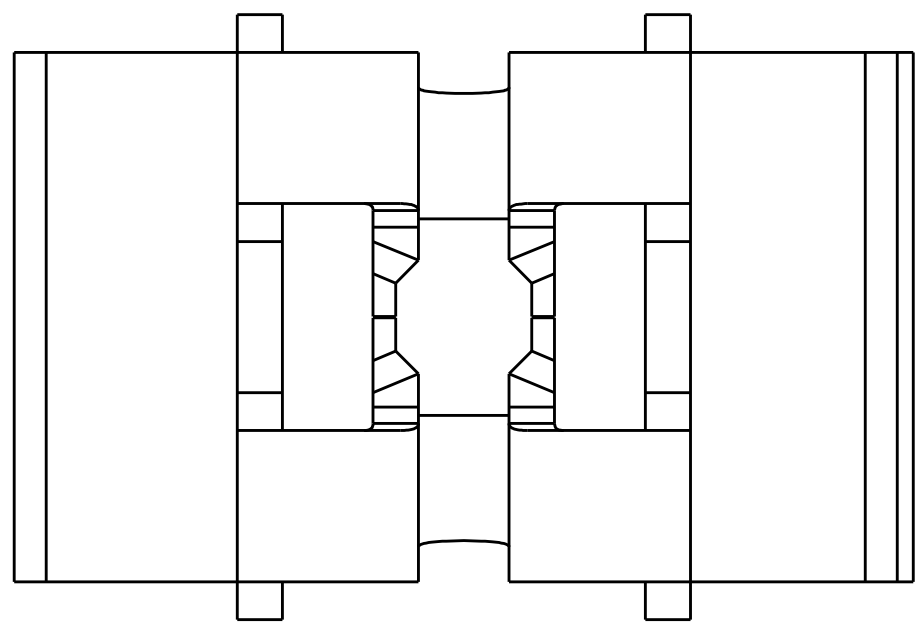


A

B

A

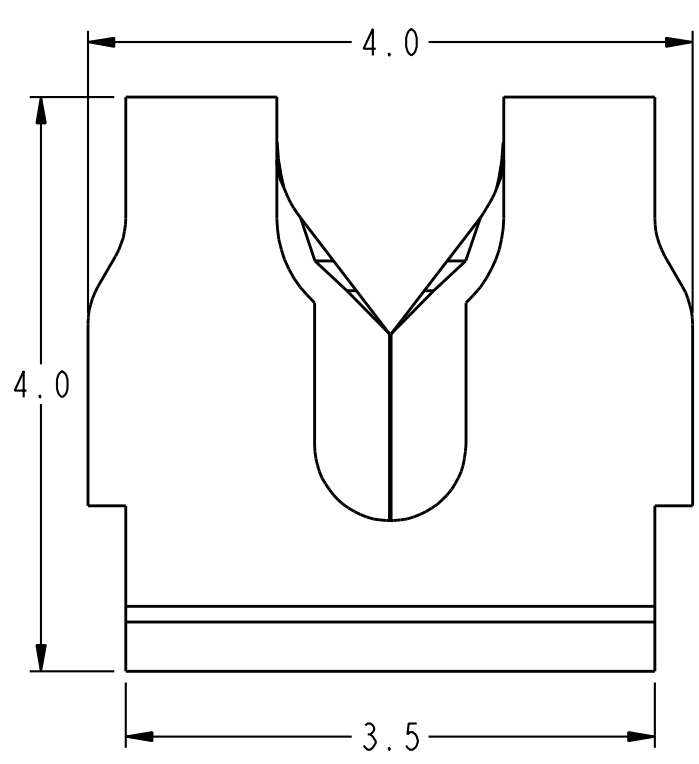
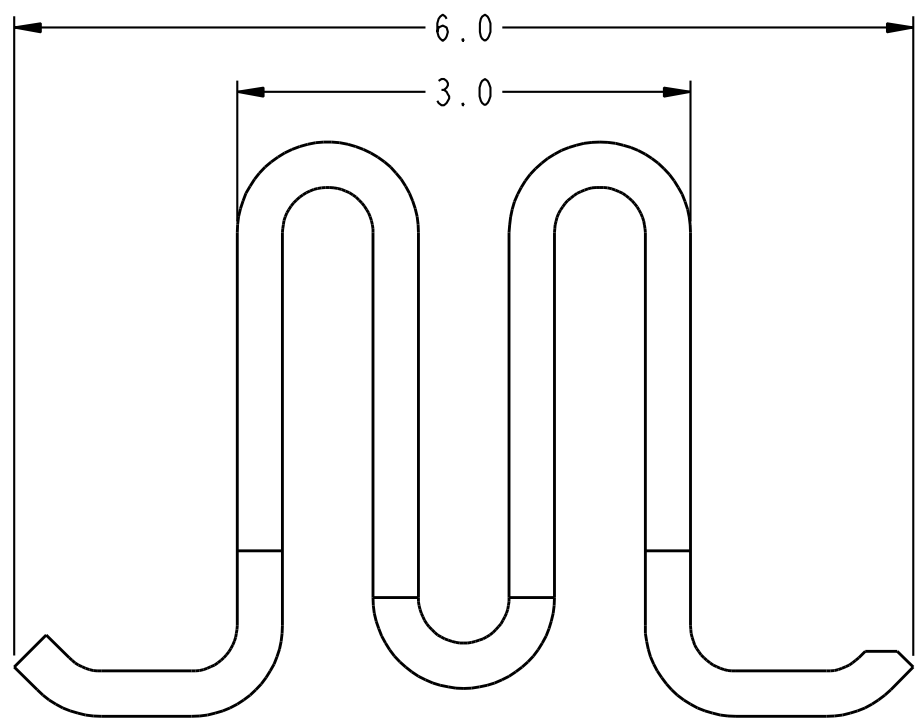
B



SCALE 15:1

C

C



SCALE 20:1

PART NUMBER	QUANTITY	DESCRIPTION	NOTES
-00ITRLF	1,900	WITHOUT PICK & PLACE CAP, IN TAPE & REEL	13
-10ITRLF	1,900	WITH PICK & PLACE CAP, IN TAPE & REEL	13
-10ILF	1	SINGULATED	10
-00ILF	7,500	ON REEL	9

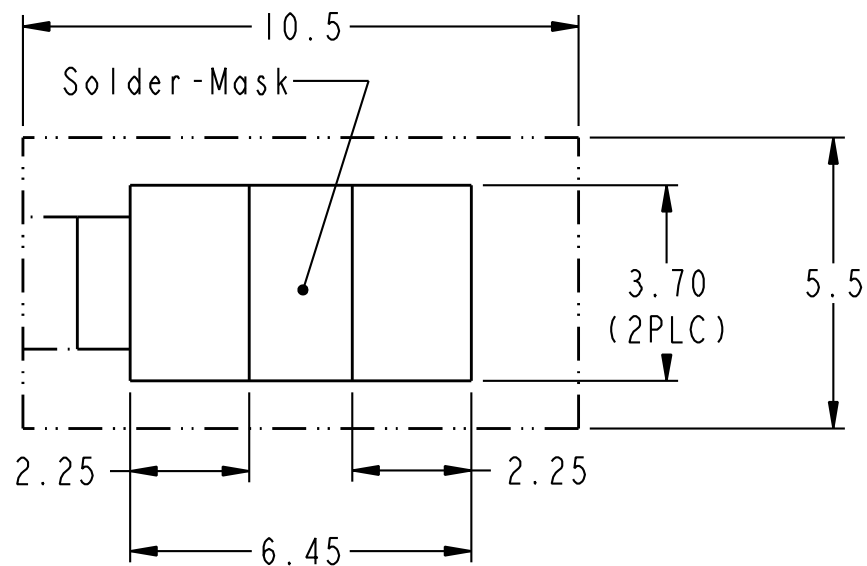
Amphenol FCI

© 2016 AFCI

D

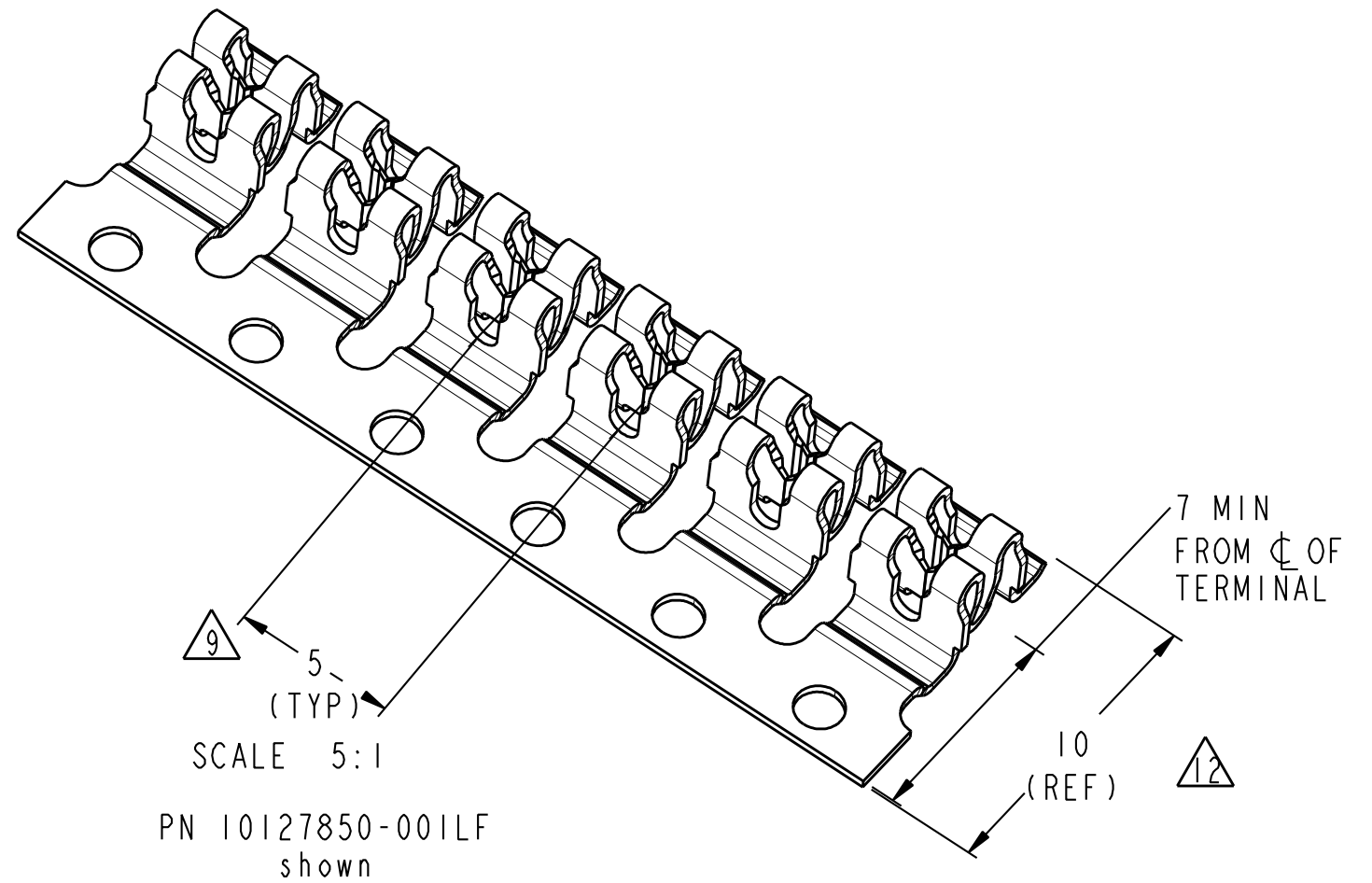
D

spec ref	-	dr	James Sabo	2014/03/18	projection	mm	size	A3	scale	10:1	
tolerance std	ISO 406 ISO 1101	eng	Johann Juillet	2017/11/21			ecn no	ELX-F-27377-1			
TOLERANCES UNLESS OTHERWISE SPECIFIED		chr	Johann Juillet	2017/11/21			rel level	Released			
surface	ISO 1302	appr	Aymeric Soudy	2017/11/21	product family	-	rel level	Released			
	linear	0.X	±0.3		TERMINAL, GRIPLET,™ SMT		dwg no 10127850C	rev		C	
		0.XX	±0.05		20-30AWG						
	angular	0°	±2°		www.fci.com						
					cat. no.	-	Product - Customer Drw		sheet 1 of 3		



11 14 RECOMMENDED SOLDER-PAD FOOTPRINT AND KEEP-OUT ZONE FOR WIRE INSTALLATION TOOL.

1. CONNECTOR MATERIAL: COPPER ALLOY
2. PLATING: TIN OVER NICKEL.
3. PRODUCT SPECIFICATION: GS-12-1234.
4. PACKAGING MEETS GS-14-920 LEAD-FREE LABELING SPECIFICATION.
5. PRODUCT MARKING: N/A
6. MINIMUM CENTERLINE SPACING BETWEEN ADJACENT TERMINALS IS 5MM.
7. WIRE INSERTION TOOL REQUIRES KEEP-OUT ZONE AS SHOWN.
8. LEAD-FREE PRODUCT MEETS THE EUROPEAN UNION DIRECTIVES & OTHER COUNTRY REGULATIONS AS DESCRIBED IN GS-22-008.



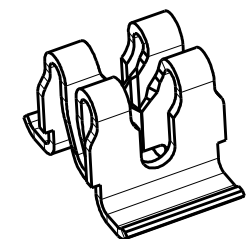
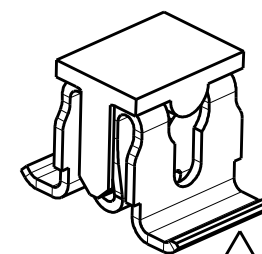
9 AVAILABLE ON 24 INCH REEL, QUANTITY 7500 PER REEL.
REELING SPECIFICATION: GS-14-2273 AND FCI
PACKAGING SPECIFICATION GS-14-2541
AVAILABLE LOOSE-IN-BAG. PACKAGE QUANTITY 1000 PER BAG.

10 RECOMMENDED KEEP-OUT ZONE FOR WIRE-INSTALLATION TOOL.

11 DIMENSIONS FOR TERMINALS PRIOR TO BREAK-OFF FROM CARRIER.

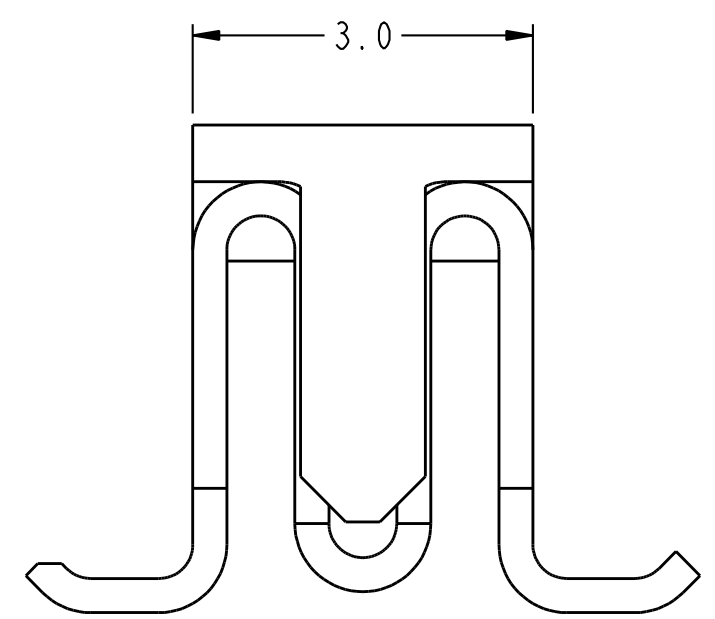
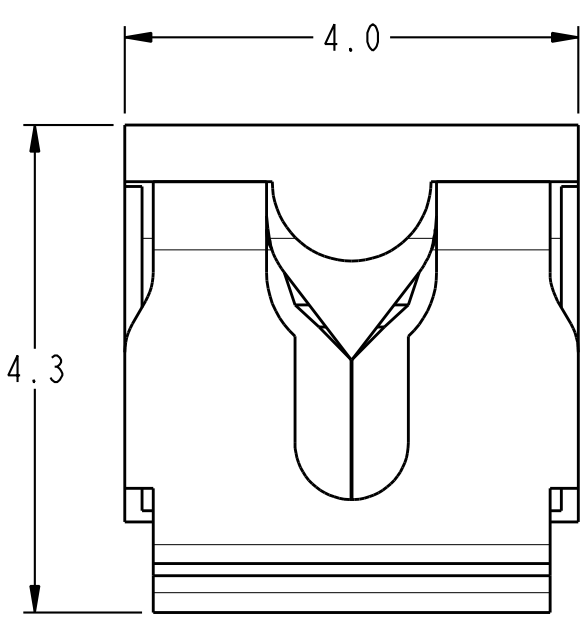
13 AVAILABLE WITH AND WITHOUT PICK & PLACE CAPS
ON 13 INCH DIAMETER REEL,
SEE TABLE FOR QUANTITY PER REEL.
TAPE & REEL SPECIFICATION: EIA-481B AND
FCI PACKAGING SPECIFICATION GS-14-2541.

14 RECOMMENDED NOMINAL SOLDER
STENCIL THICKNESS:
0.127MM (0.005 INCH)

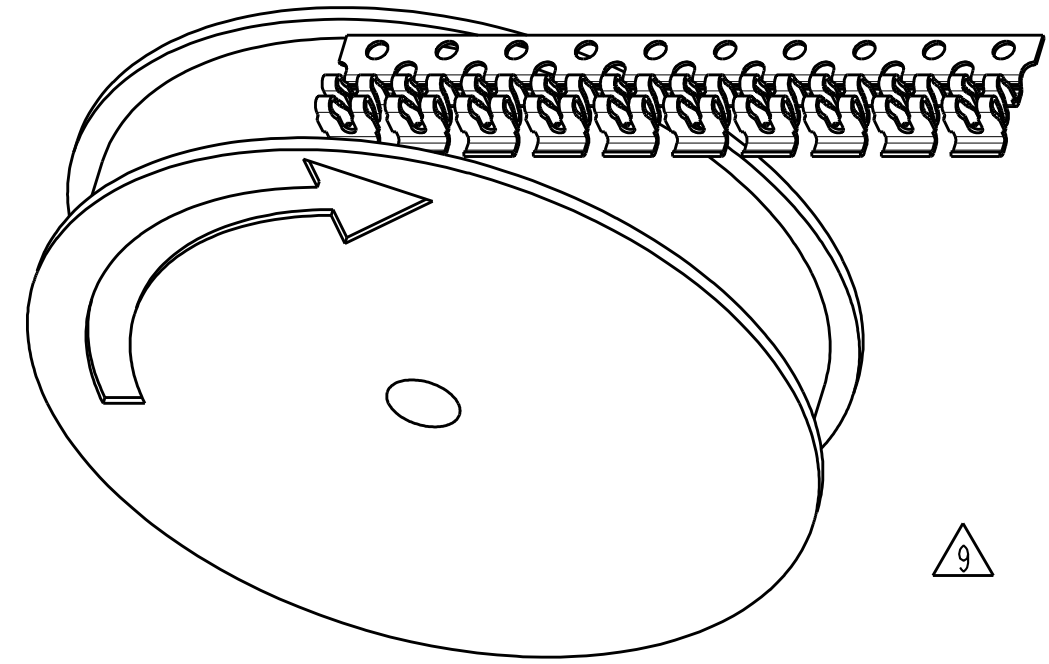


spec ref	-			dr	James Sabo	2014/03/18	projection	mm	size	A3	scale	10:1
tolerance std	TOLERANCES UNLESS OTHERWISE SPECIFIED			eng	Johann Juillet	2017/11/21			ecn no		ELX-F-27377-1	
ISO 406				chr	Johann Juillet	2017/11/21			rel level		Released	
ISO 1101				appr	Aymeric Soudy	2017/11/21	product family					
surface		linear	0.X	±0.3		TERMINAL, GRIPLET,™ SMT 20-30AWG		10127850C		C		
			0.XX	±0.05								
			0.XXX	±0.025								
ISO 1302		angular	0°	±2°	www.fci.com	cat. no.	Product - Customer Drw		sheet 2 of 3			

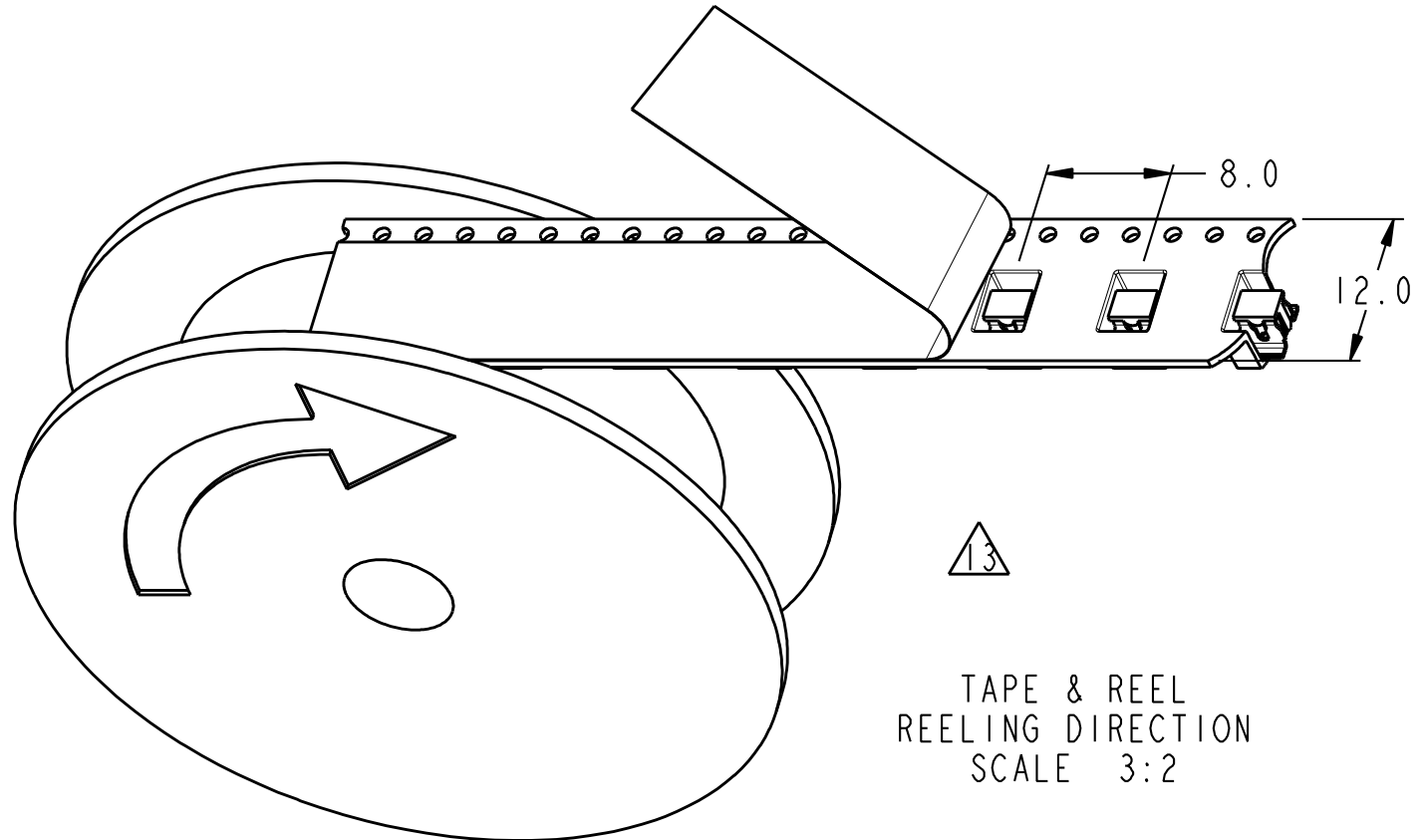
REV	DATE	RESPONSIBLE ENGINEER	PURPOSE
1	21FEB2014	J. SABO	ORIGINAL
2	31OCT2014	J. SABO	ADD COINING. REV SOLDER-PAD.
A	13APR2015	J. SABO	ADD T&R AND T-CAP.
B	03JUN2015	J. SABO	DIMENSION T-CAP. ADD AS-STAMPED REELING. ADDED PN FOR W/O CAP IN T&R.
C	21NOV2017	J. JUILLET	UPDATE PACKAGING DATA



PICK & PLACE
T-CAP SEATING
SCALE 15:1



AS-STAMPED
REELING DIRECTION
SCALE 2:1



TAPE & REEL
REELING DIRECTION
SCALE 3:2



spec ref	-	dr	James Sabo	2014/03/18	projection	mm	size	A3	scale	10:1
tolerance std	ISO 406 ISO 1101	TOLERANCES UNLESS OTHERWISE SPECIFIED			eng	Johann Juillet	2017/11/21	ecn no	ELX-F-27377-1	
surface	linear	0.X	±0.3		Amphenol FCi	TERMINAL, GRIPLET, SMT	dwg no	10127850C	rev	C
		0.XX	±0.05							
		0.XXX	±0.025							
ISO 1302	angular	0°	±2°		www.fci.com	cat. no.	-	Product - Customer Drw	sheet 3 of 3	